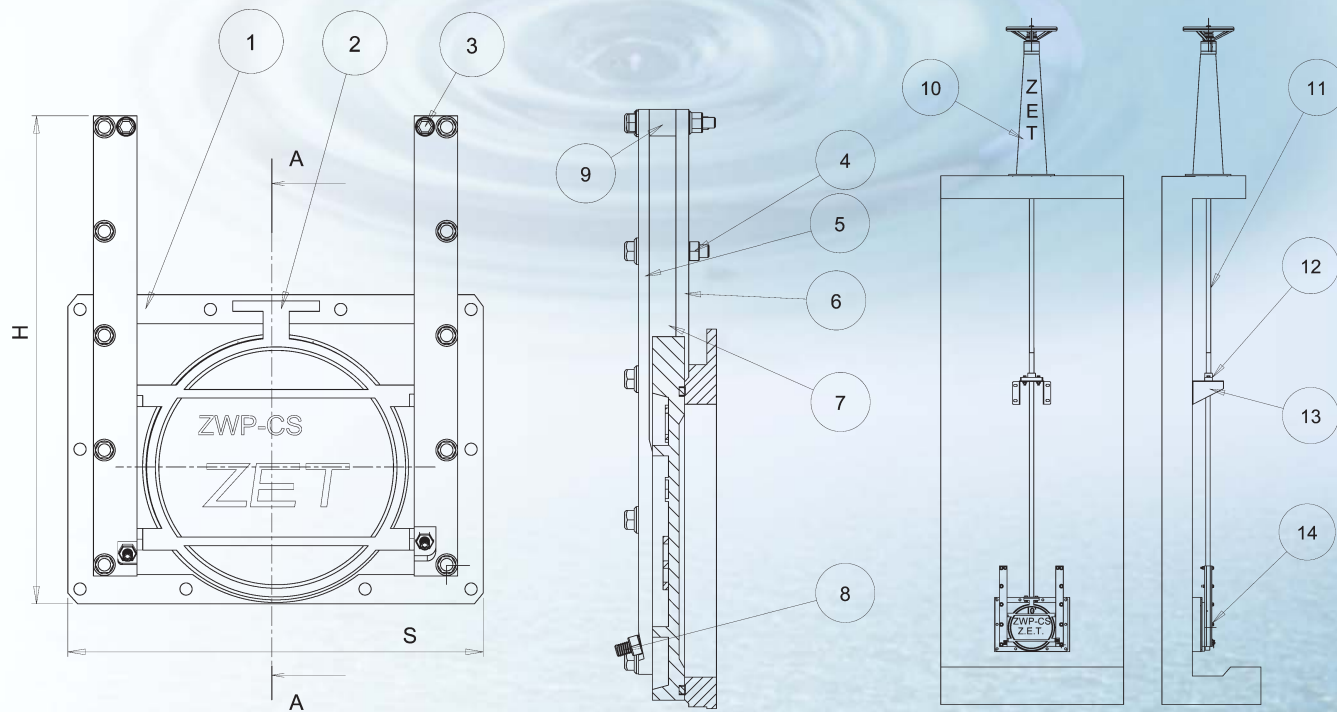


Bi-directional wall mounted gates for circular openings model ZWP-CS:

- Complete and drop-tight bi-directional sealing for on- and off-seating pressure, up to 40 meter waterhead, can be ordered for higher resistance on request.
- Unique Neoprene sealing system with damage protection against closure on solid materials.
- 316 stainless steel cast base with integral seat (not a ring attached to a base, all one piece).
- Reinforced gate.
- Stock designed without protrusions, projections or depressions that could trap solids contained in the flow.
- Slanting stainless steel tracks ensuring the gate's adhesion to the sealed base only at the end of process, no contact at all between seals and seal gate during operation.
- Standard produced stainless steel rising stem (non-rising telescopic stem can be produced on request).
- Low operational torque.
- Operating nut not immersed in sewerage.
- A variety of installation options: slot fixing, wall mounting, combination mounting, dresser coupling and more.
- Frame materials adapted to resistance against aggressive materials.
- Long term manufacturer's warranty.
- Dimensions and raw materials adapted to the needs of the project and flow.
- Supply from stock!



1	Body (stainless steel casting C8-FM)
2	Gate (vulcanized stainless steel casting C8-FM)
3	Bolt (stainless steel)
4	Nut (stainless steel)
5	Upper guide (stainless steel)
6	Lower guide (stainless steel)
7	Middle guide (stainless steel)

8	Adjustment bolt (stainless steel)
9	Stopper (stainless steel)
10	Manual actuator
11	Connecting rod (stainless steel)
12	Bearing (HDPE)
13	Bearing support (stainless steel)
14	Wall mounted penstock ZWP-CS