



US00D599909S

(12) **United States Design Patent**
Rinott et al.

(10) **Patent No.:** **US D599,909 S**

(45) **Date of Patent:** **** Sep. 8, 2009**

(54) **FETAL MOTOR ACTIVITY DETECTOR**

(75) Inventors: **Michal Rinott**, Tel Aviv (IL); **Lorna Pinchuk**, Moshav Rinatia (IL)

(73) Assignee: **BioPad Ltd.**, Tel Aviv (IL)

(**) Term: **14 Years**

(21) Appl. No.: **29/274,642**

(22) Filed: **May 11, 2007**

(51) **LOC (9) Cl.** **24-01**

(52) **U.S. Cl.** **D24/186**

(58) **Field of Classification Search** D24/107,
D24/167, 186-187; 600/511, 595, 586-588,
600/437-438, 440, 485, 508-509, 376; 607/902;
73/645, 658

See application file for complete search history.

(56) **References Cited**

U.S. PATENT DOCUMENTS

4,493,043	A *	1/1985	Forbath	702/178
4,711,585	A *	12/1987	Fresquez et al.	368/109
D328,617	S *	8/1992	Emmel et al.	D21/529
D535,031	S *	1/2007	Barrett et al.	D24/186
7,296,733	B2 *	11/2007	Nguyen	235/1 R
7,402,143	B2 *	7/2008	Berger et al.	600/595
D590,508	S *	4/2009	Tupin, Jr.	D24/186

* cited by examiner

Primary Examiner—Ian Simmons

Assistant Examiner—Wan Laymon

(74) *Attorney, Agent, or Firm*—Harold L. Novick; The Nath Law Group

(57) **CLAIM**

The new and ornamental design for a fetal motor activity detector, as shown and described.

DESCRIPTION

FIG. 1 is a top perspective view of a fetal motor activity detector;

FIG. 2 is a bottom perspective view of the fetal motor activity detector of FIG. 1;

FIG. 3 is a top view of the fetal motor activity detector of FIG. 1;

FIG. 4 is a bottom view of the fetal motor activity detector of FIG. 1.

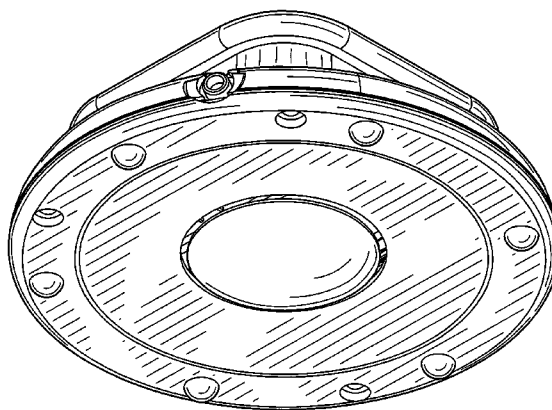
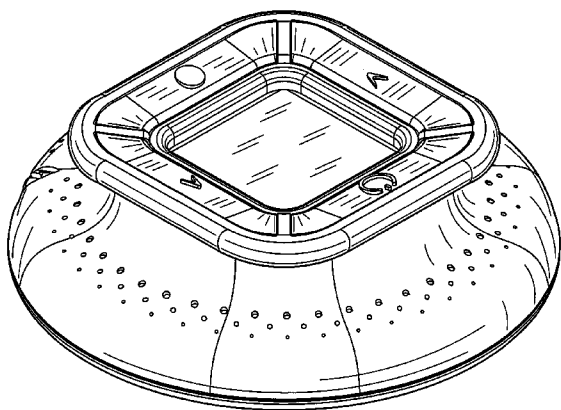
FIG. 5 is a front view of the fetal motor activity detector of FIG. 1;

FIG. 6 is rear view of the fetal motor activity detector of FIG. 1;

FIG. 7 is a left side view of the fetal motor activity detector of FIG. 1; and,

FIG. 8 is a right side view of the fetal motor activity detector of FIG. 1.

1 Claim, 6 Drawing Sheets



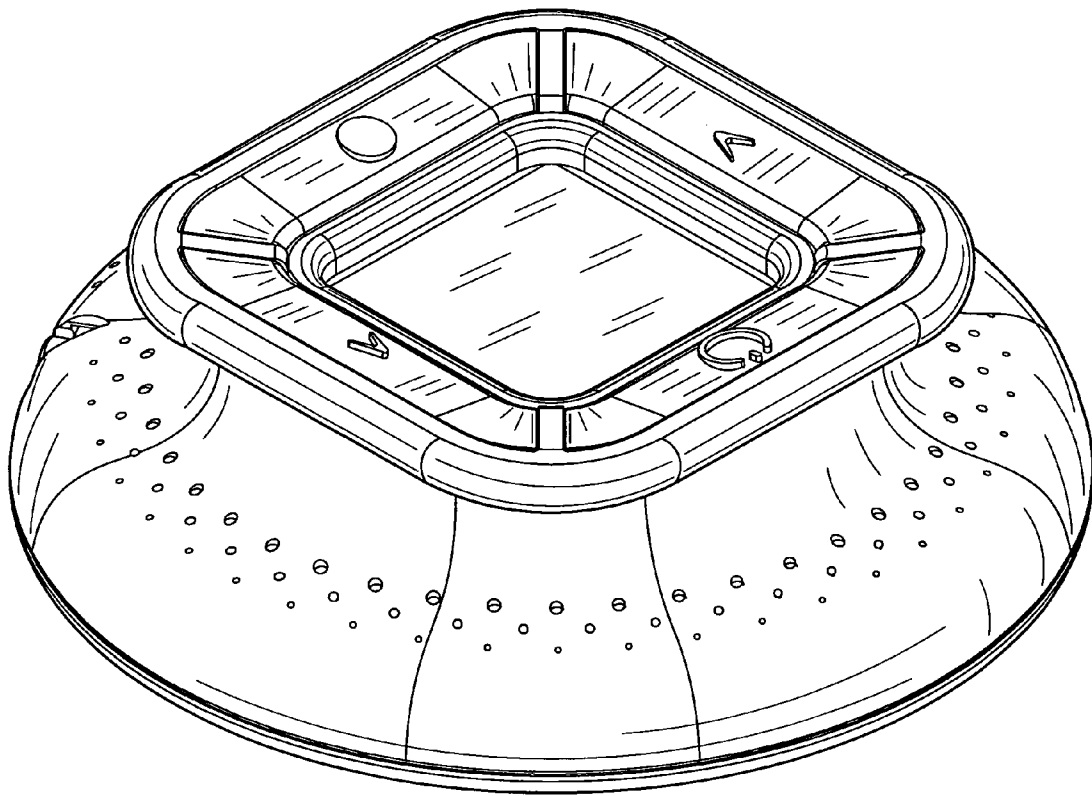


FIG.1

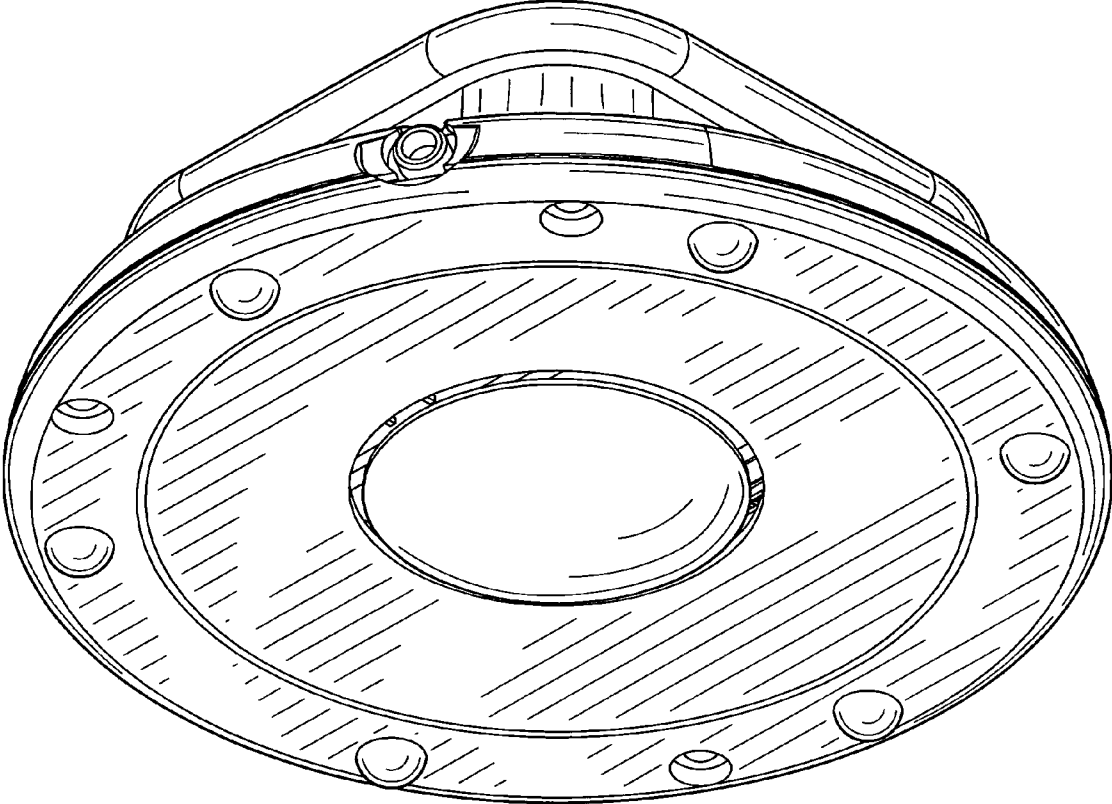


FIG.2

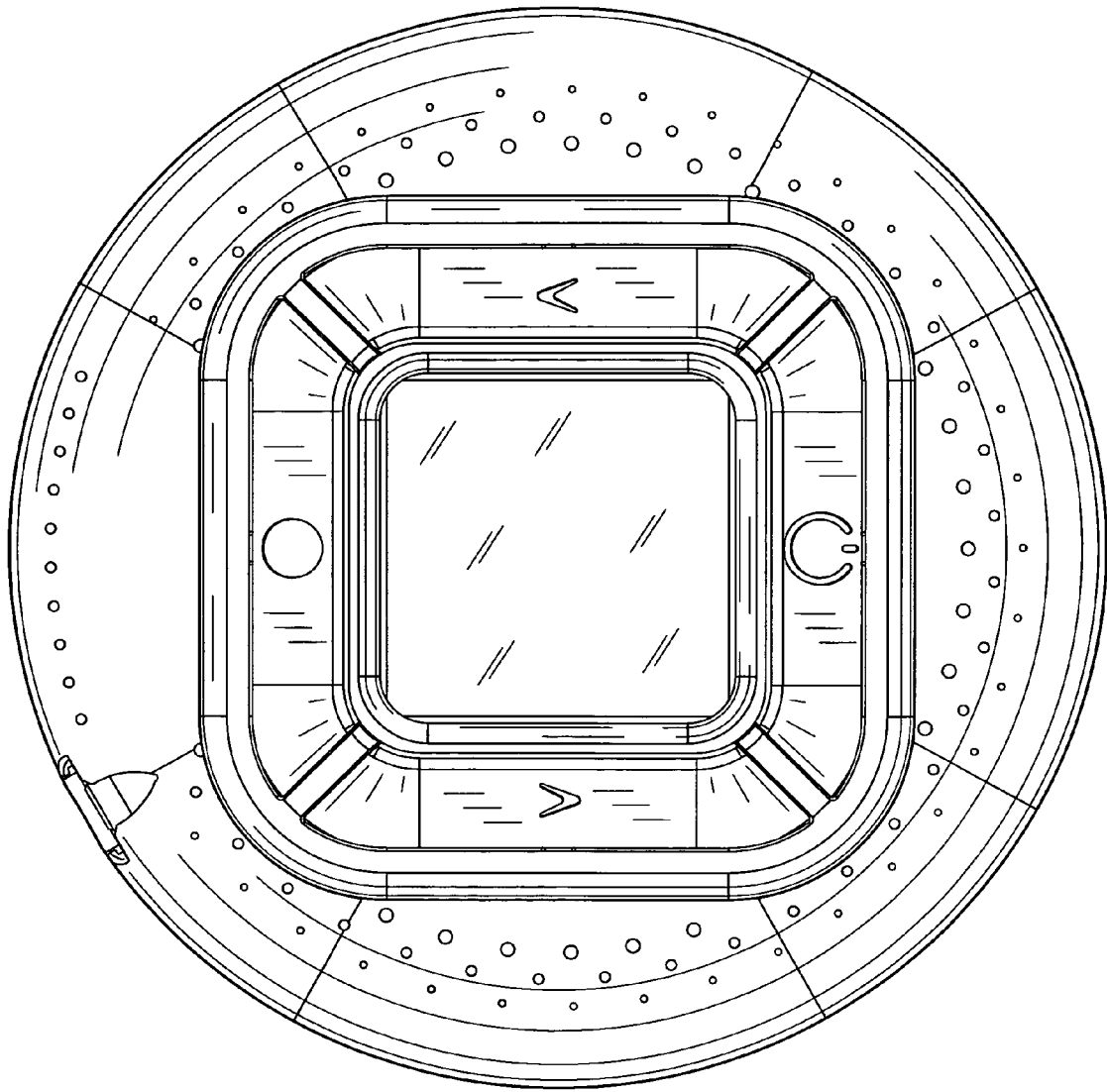


FIG. 3

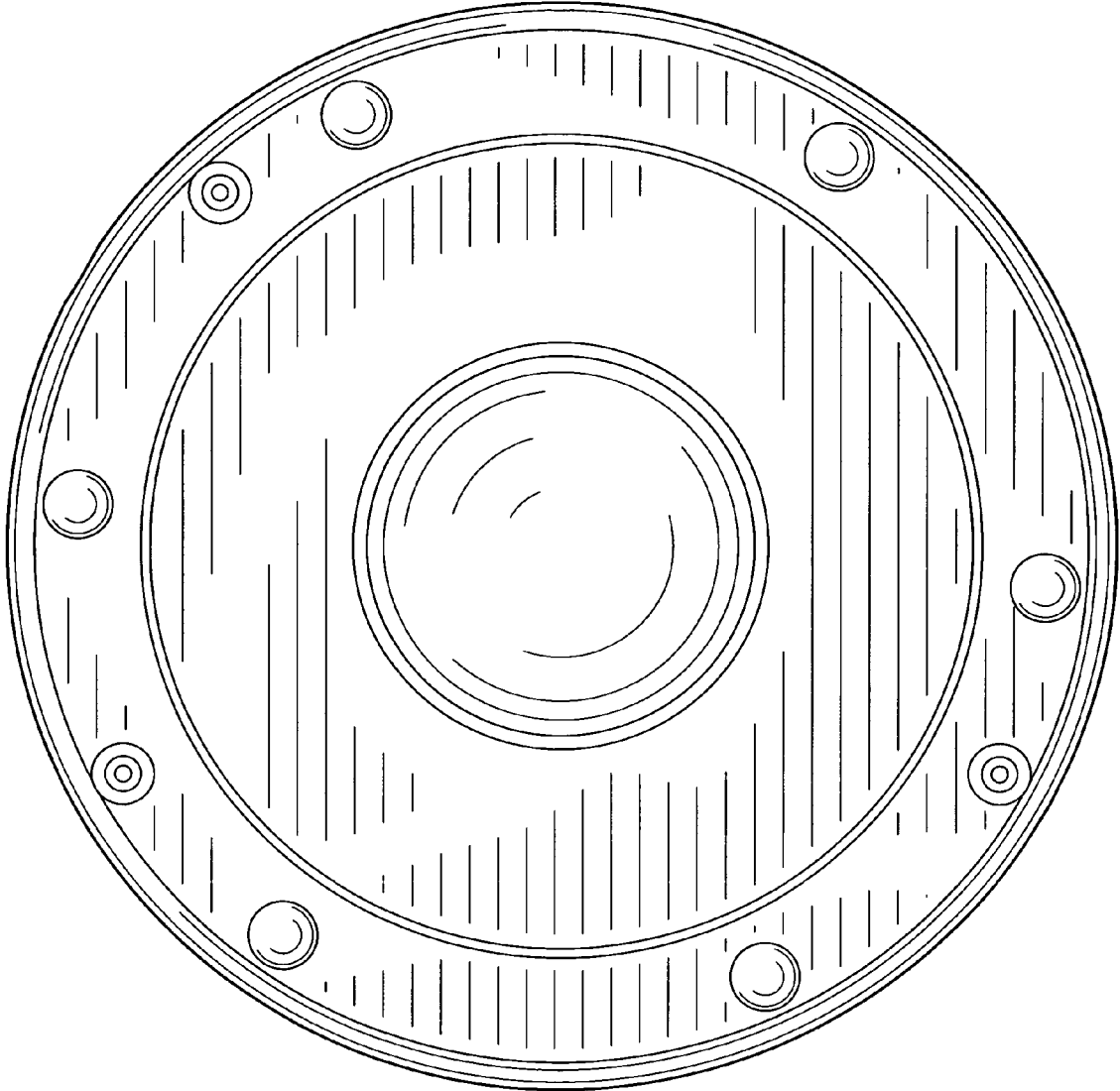


FIG.4

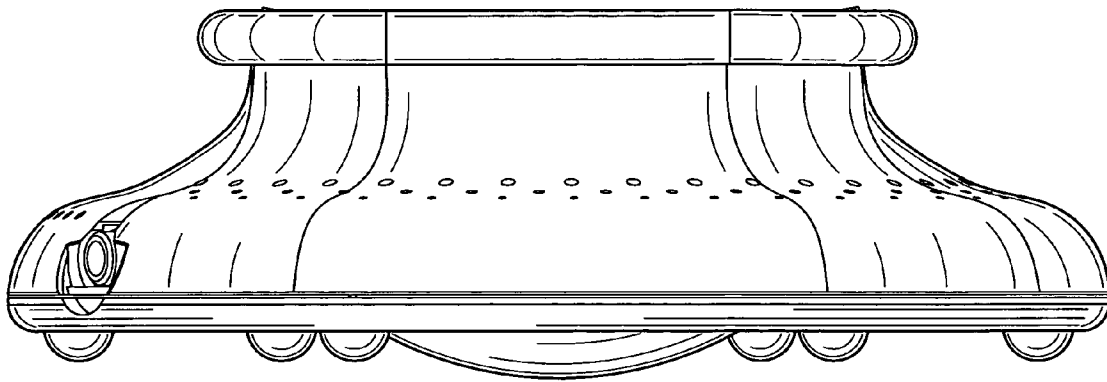


FIG. 5

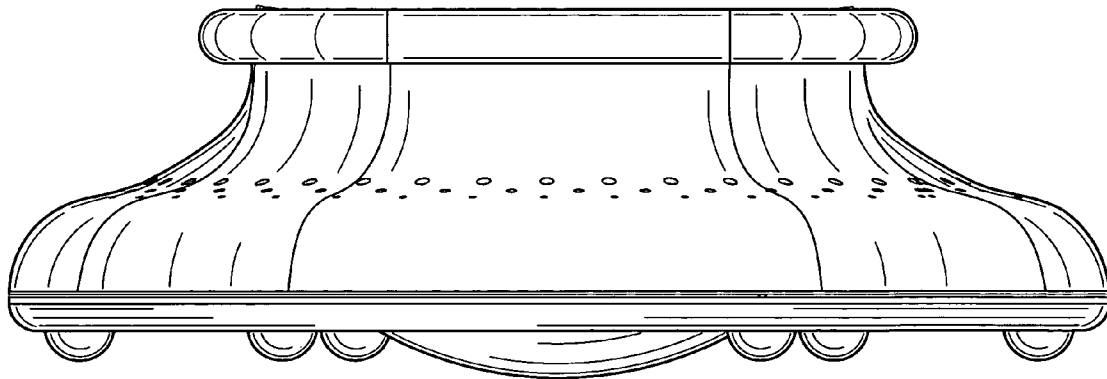


FIG. 6

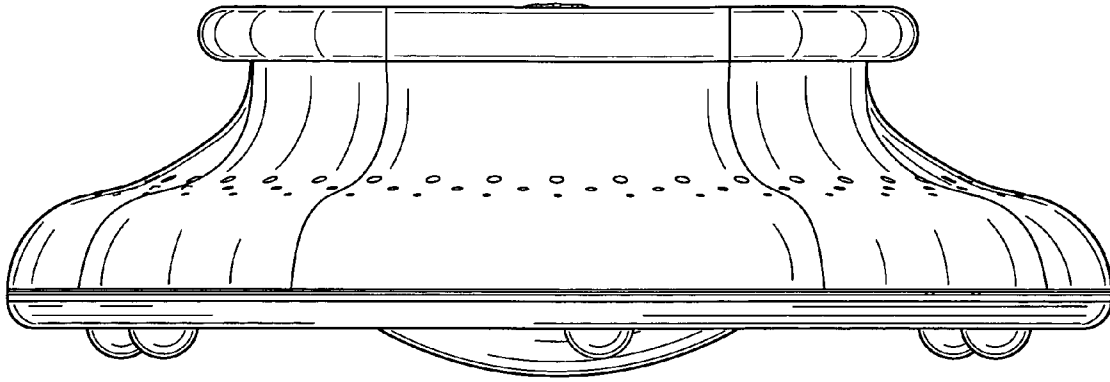


FIG. 7

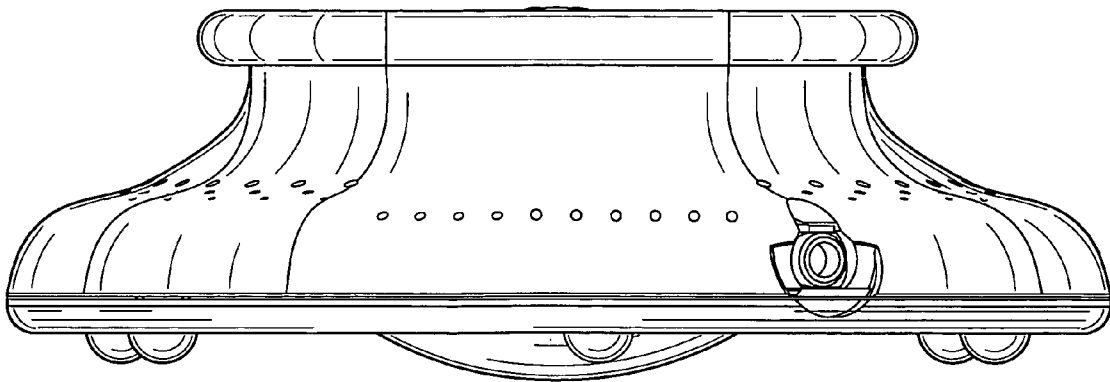


FIG. 8