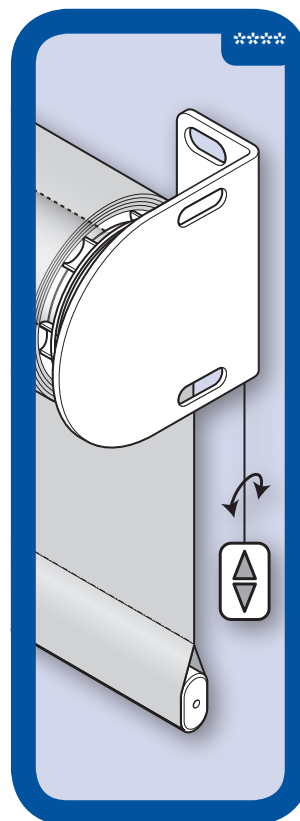




Well made and strong electrically operated motorized roller blind system for medium sized blinds up to 320 cm x 400 cm.



Options

Control side

5100 Control-right
5101 Control-left

Control system

**** Mono electric
For all options see page 101

Fixation

5310 Universal brackets

Others

5940 Inserted bottom rail (3 colors)
5972 Rollup reverse

Properties

Tube

Aluminium, Ø 60 x 1.7 mm

Bottom rail

C-type steel painted white
19.5 x 10 x 0.5 mm

Universal brackets

Metal brackets

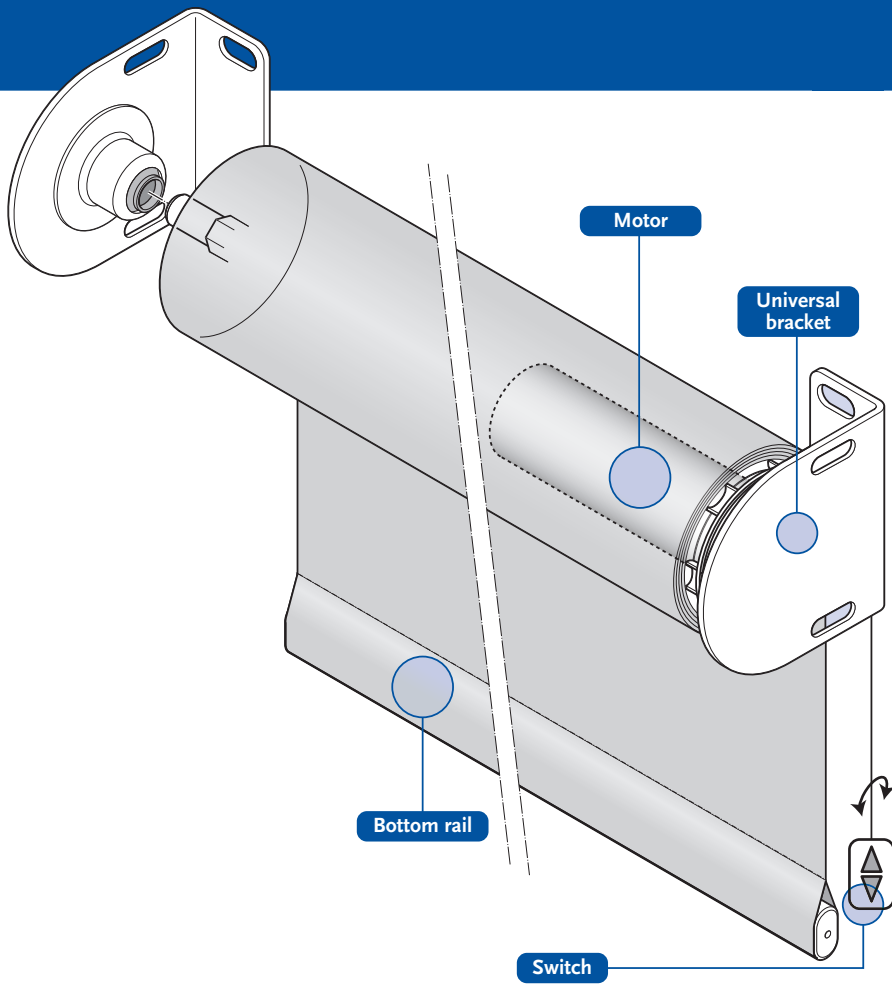
Inserted bottom rail (option)

Aluminium painted white/cream/grey
21 x 11.5 mm

Sundries

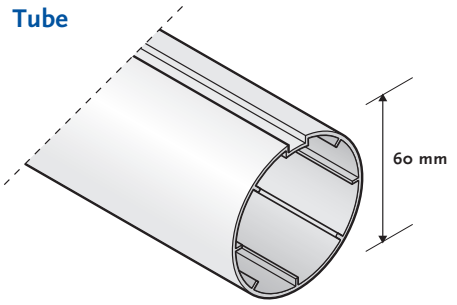
Tube

Covered by single thickness of fabric

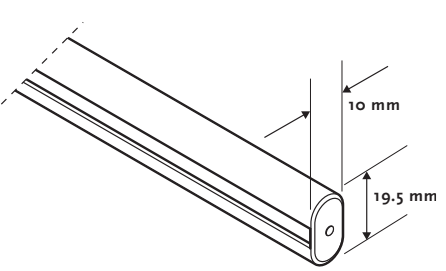


Standard Topics

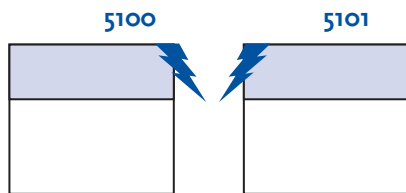
Tube



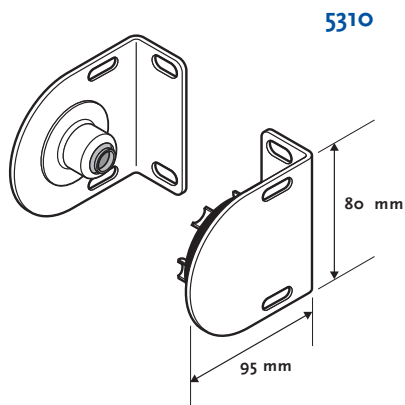
Bottom rail



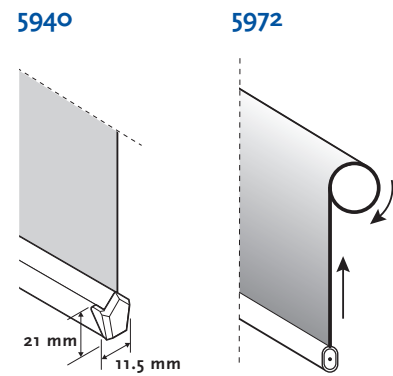
Control sides



Fixation options



Others



Sizes

Size Ind.	Sizes in mm min.	Sizes in mm max.	Remarks
A	600	3200	
A ¹	28		
A ²	28		
B	300	4000	
C	120		
D	A +/- 56		
AxB (sqm)	0.18	12.8	Daylight/Blackout
	0.18	8	Screen up to 480 gr
	0.18	6	Screen up to 635 gr

