



Classic

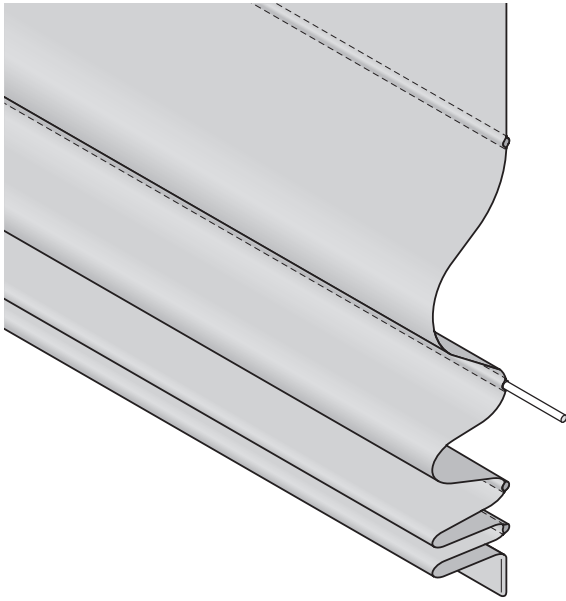
Ribs in patch pocket



Patch pocket

Classic ribs in patch pocket

Suitable for product lines:

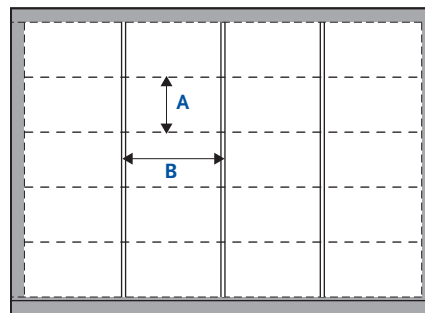


- PL6100 System V55
- PL6120 System V65
- PL6140 System V16
- PL6150 System V64

Size restrictions

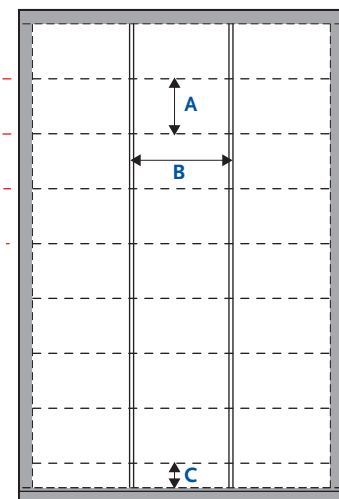
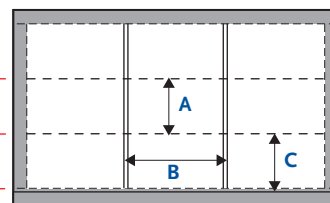
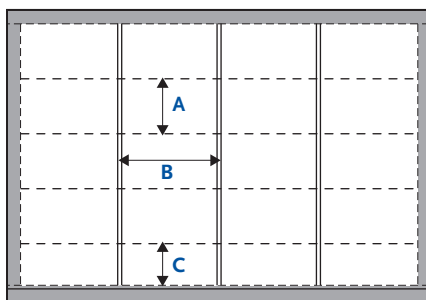
P-line	Size ref.	Size in cm	
		Width	Height
6100	Min.	20	20
	Max	400	450
6120	Min.	25	20
	Max	450	450
6140	Min.	60	20
	Max	600	500
6150	Min.	70	20
	Max	600	1000

Ribs & lift-cords



-A- will be equally divided over the height

Foldings and lift-cords for option 6950 "Side by Side"



General remark size A & B

Distance A and B will vary according to size of blind.

- A: Minimum 270 mm
Maximum 300 mm
- B: Minimum 550 mm
Maximum 730 mm

Within the same set of blinds (see above) starting from the top of blind, distance A will always be the same for option "Side by Side". Except the last folding (size C) could be different. Please always use option 6901 (fax or mail) for a sketch of the position of the shades per set.