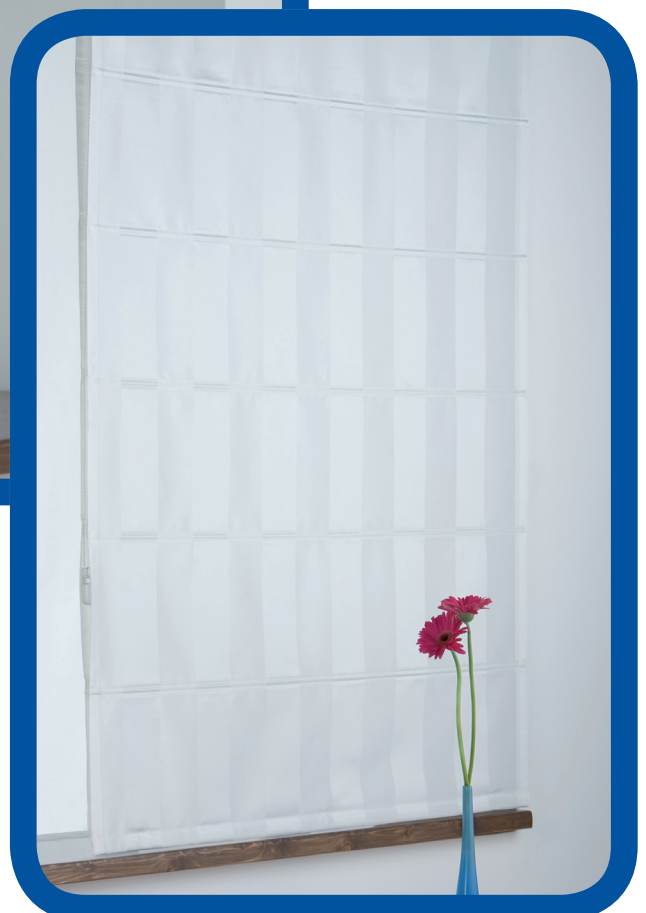




Reversible

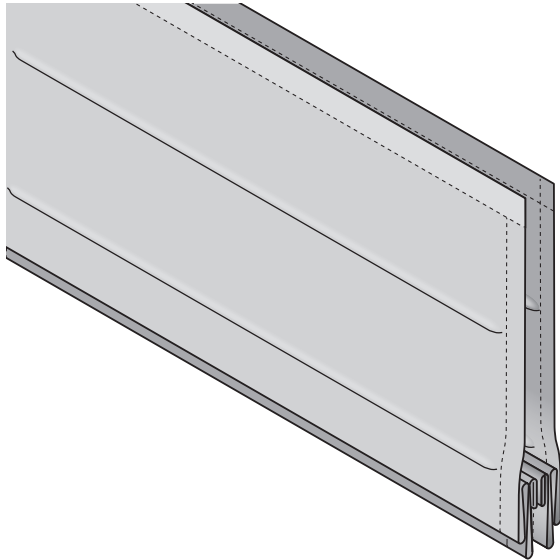
With ribs



When ordering: Frontside is main colour, backside is second colour

Reversible with ribs

Suitable for product lines:

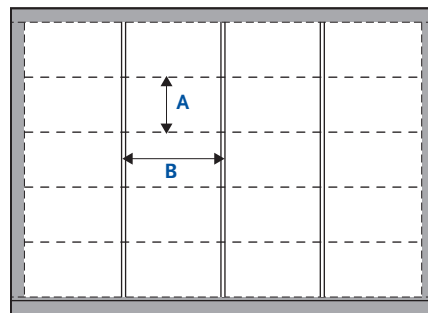


- PL6120 System V65
- PL6140 System V16
- PL6150 System V64

Size restrictions

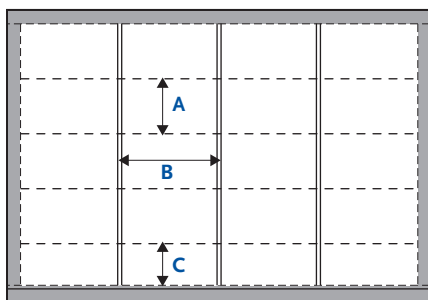
P-line	Size ref.	Size in cm	
		Width	Height
6120	Min.	25	20
	Max	450	450
6140	Min.	60	20
	Max	600	500
6150	Min.	70	20
	Max	600	1000

Ribs & lift-cords



-A- will be equally divided over the height

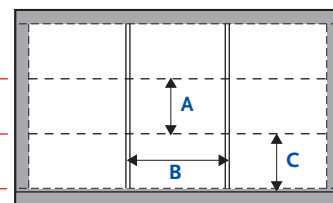
Foldings and lift-cords for option 6950 "Side by Side"



General remark size A & B

Distance A and B will vary according to size of blind.

- A: Minimum 270 mm
Maximum 300 mm
- B: Minimum 550 mm
Maximum 730 mm



Within the same set of blinds (see above) starting from the top of blind, distance A will always be the same for option "Side by Side". Except the last folding (size C) could be different. Please always use option 6901 (fax or mail) for a sketch of the position of the shades per set.

