

FITTING INSTRUCTION

VENETIAN BLIND

V13/V19 ALUMINIUM

SWIVEL BRACKET

PRODUCT LINE

1201 1221

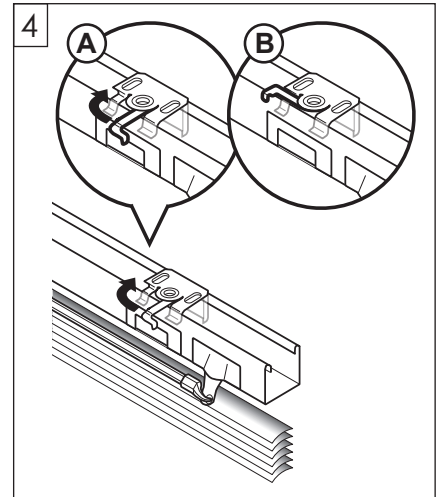
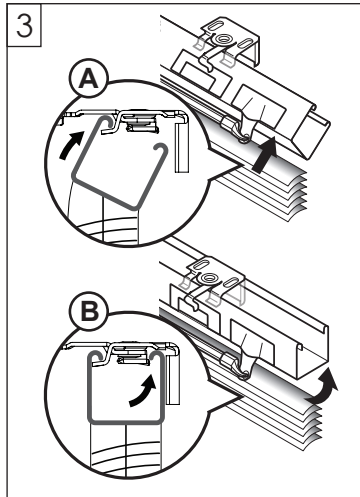
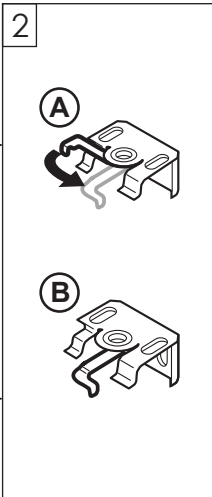
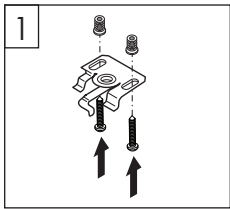
1301 1304

1305 1321

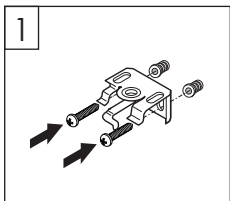
1401

ASSEMBLY

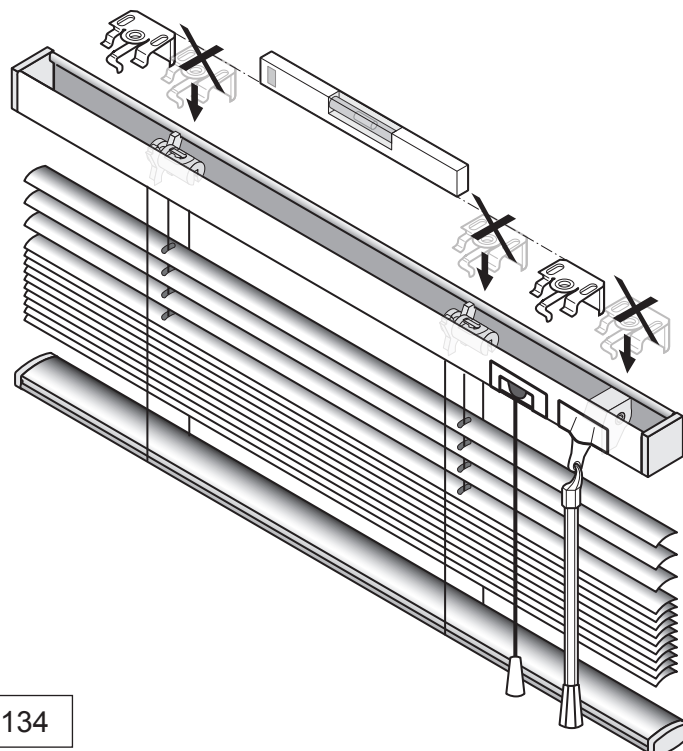
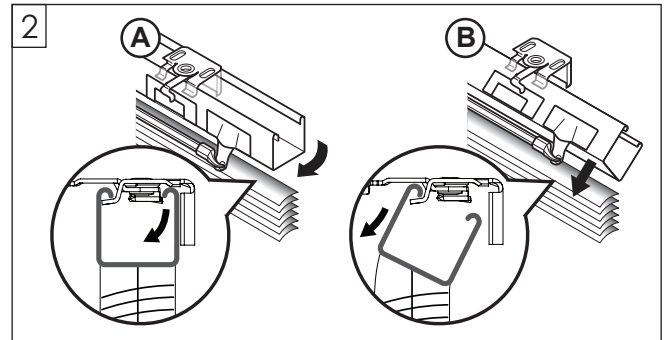
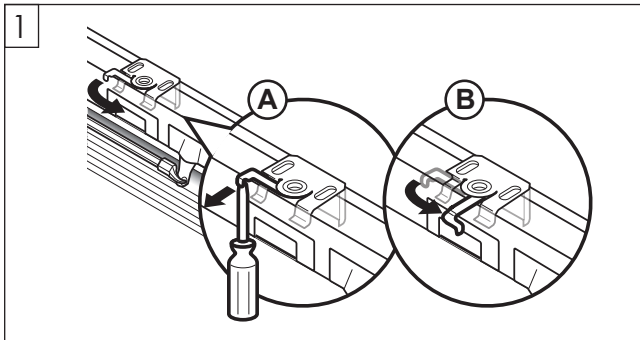
CEILING



WALL



DISASSEMBLY



VER. 2

CODE NUMBER:7408134