

FITTING INSTRUCTION

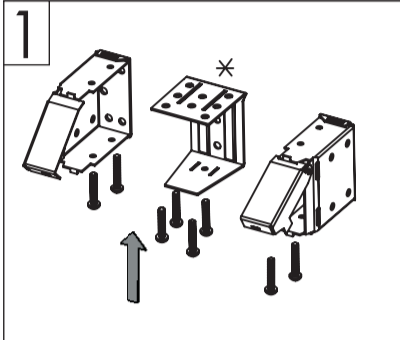
PRODUCT LINE

7571

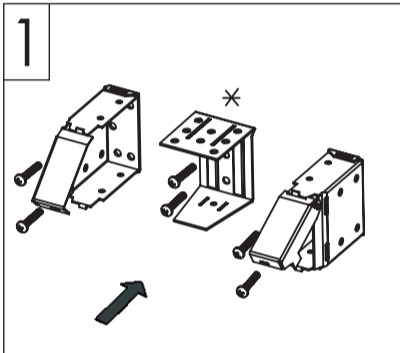
7171

V16-20/25mm DUETTE / PLISSE ELECTRIC V16-50mm DUETTE ELECTRIC

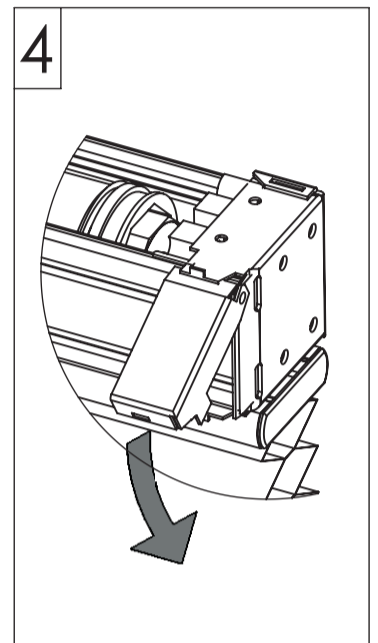
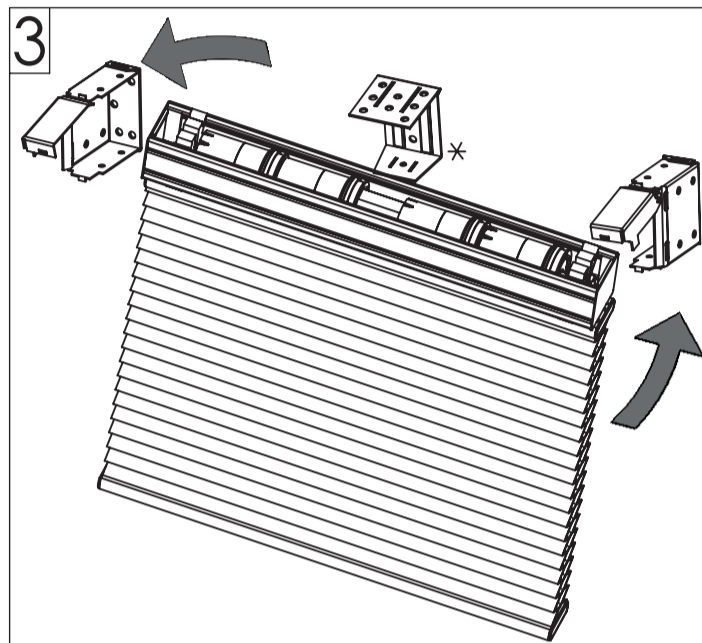
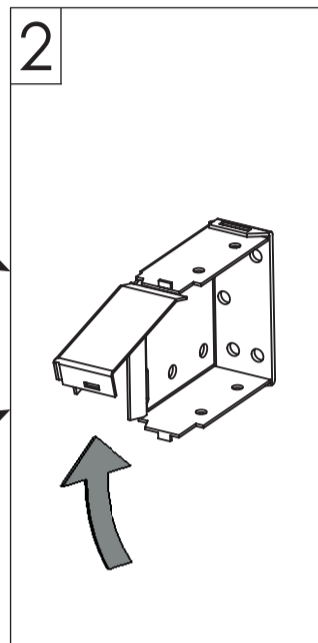
CEILING



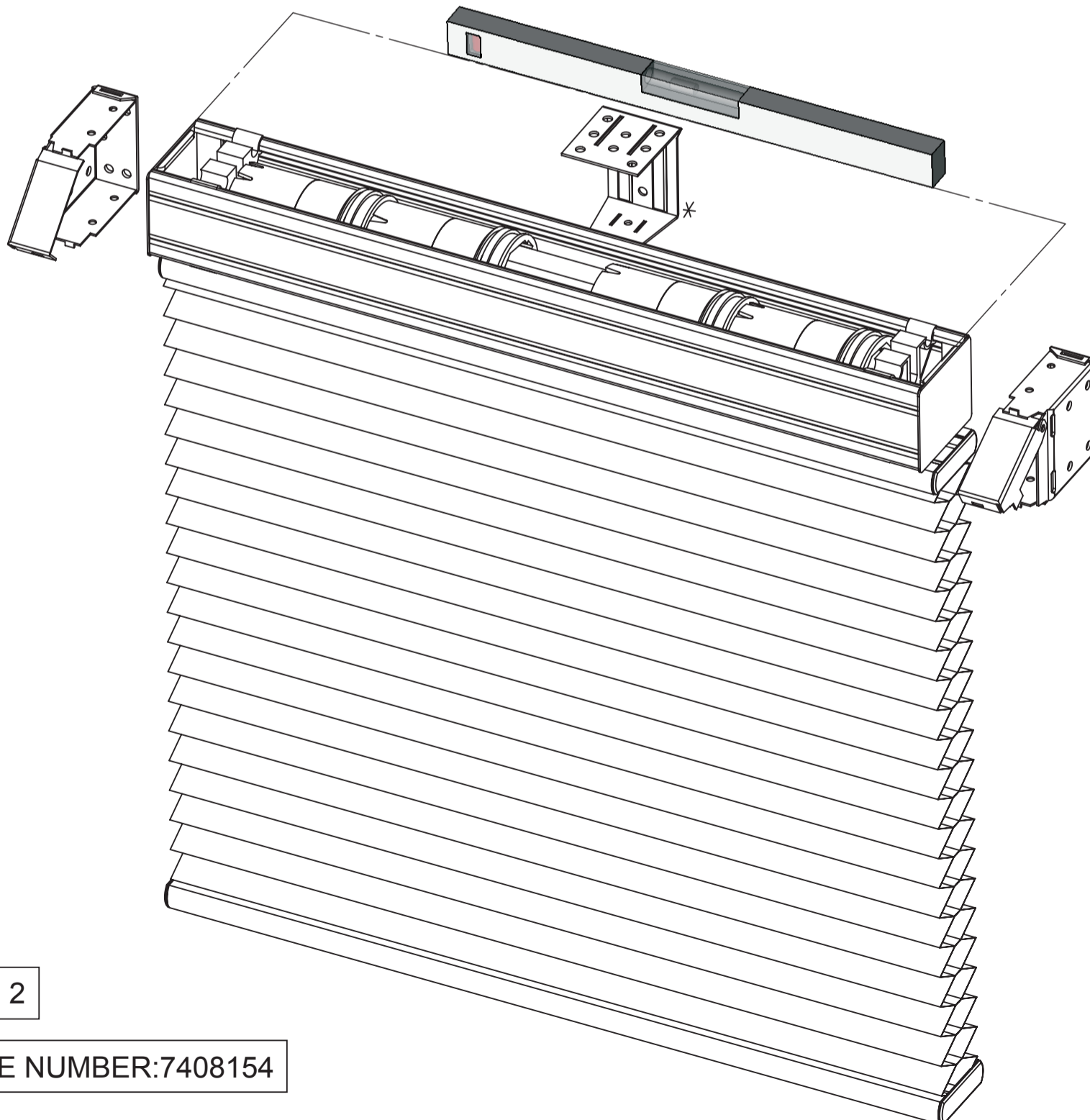
WALL



ASSEMBLY



* For sizes more than 80 cm.



VER. 2

CODE NUMBER:7408154