

FITTING INSTRUCTION

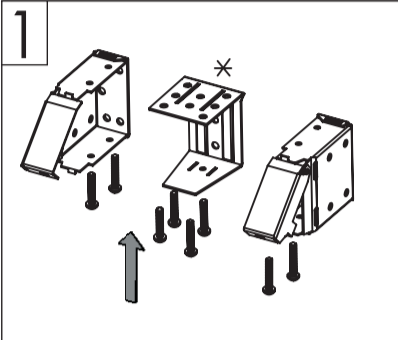
ELECTRICAL ROMAN SHADE V16

PRODUCT LINE

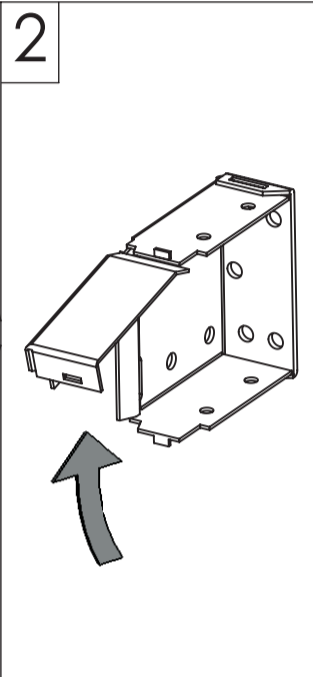
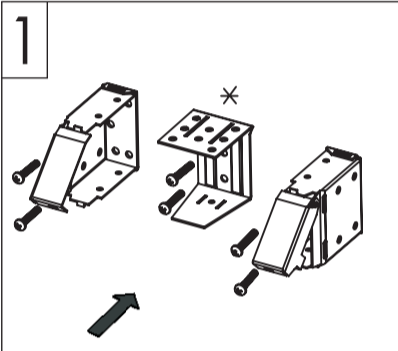
6140

SIDE BRACKET OPTION 1304

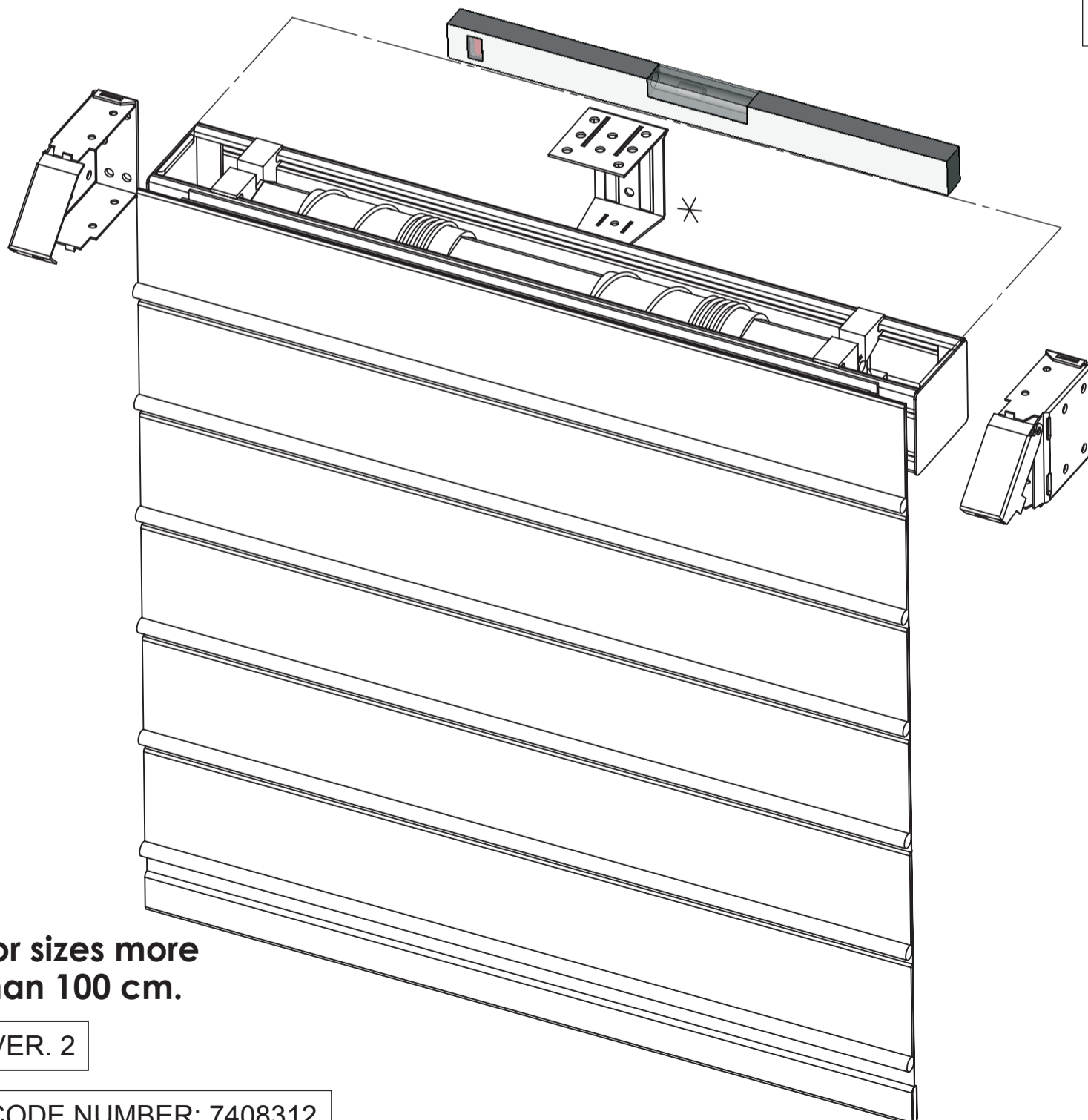
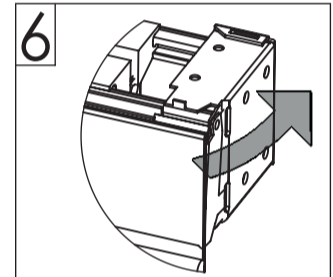
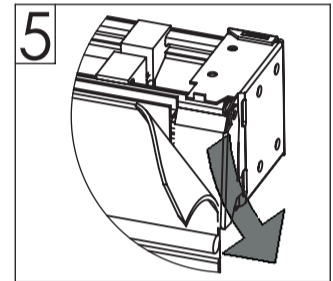
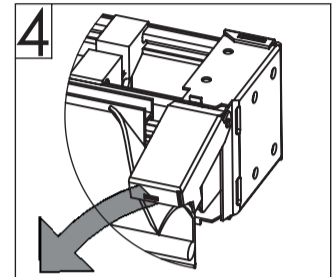
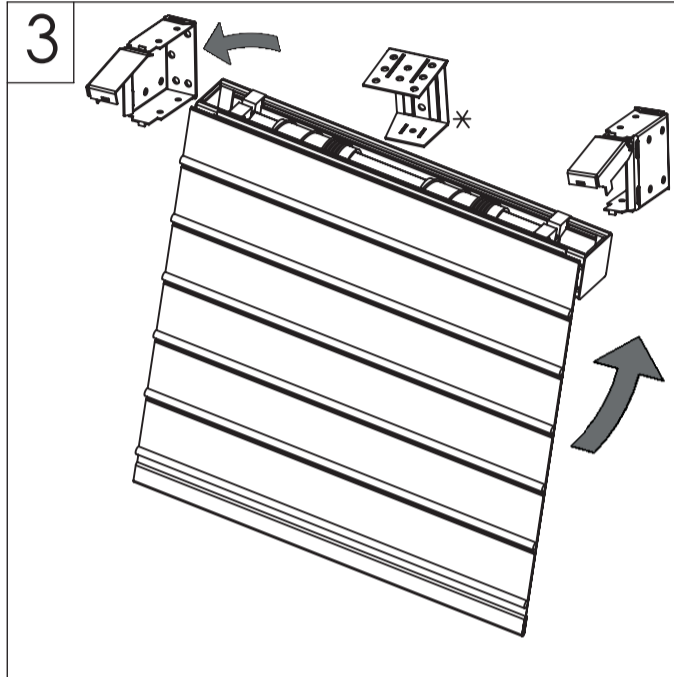
CEILING



WALL



ASSEMBLY



* For sizes more than 100 cm.

VER. 2

CODE NUMBER: 7408312