

FITTING INSTRUCTION

VENETIAN BLIND CLASSIC

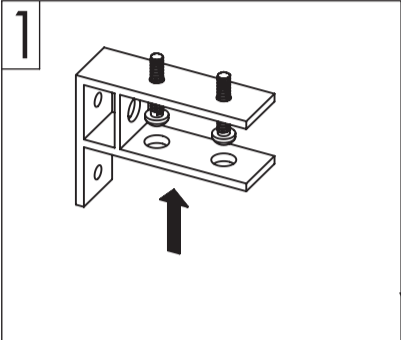
V20

PRODUCT LINE

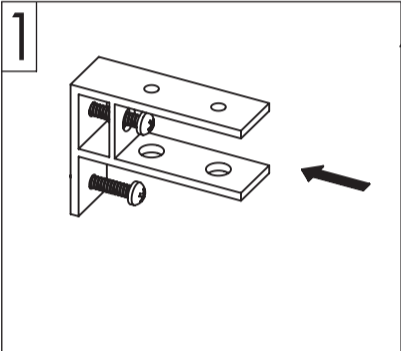
1560

1562

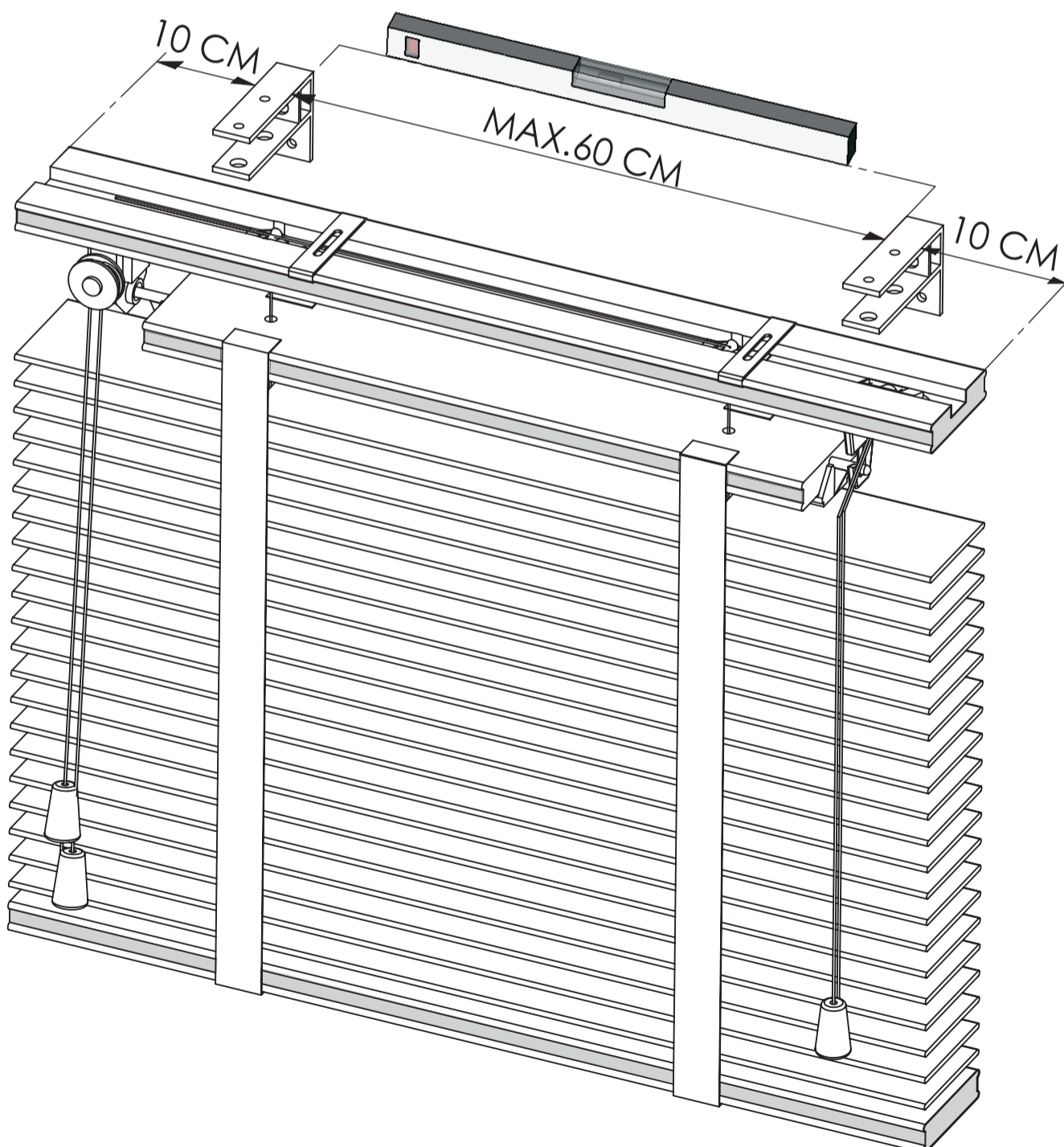
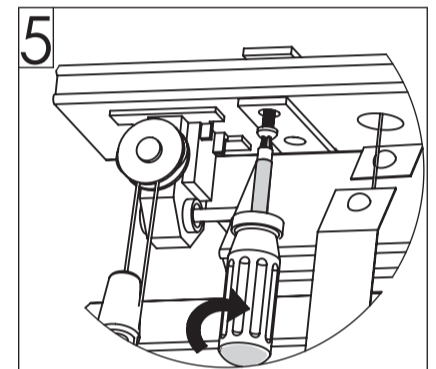
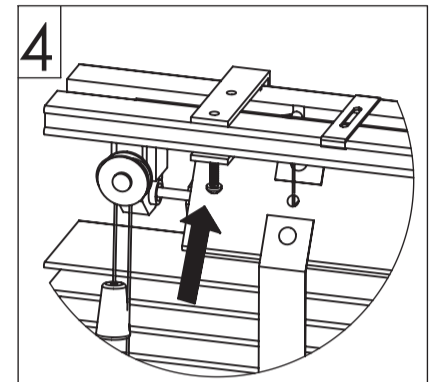
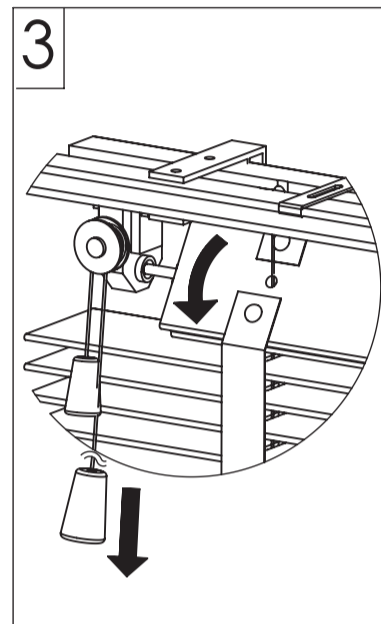
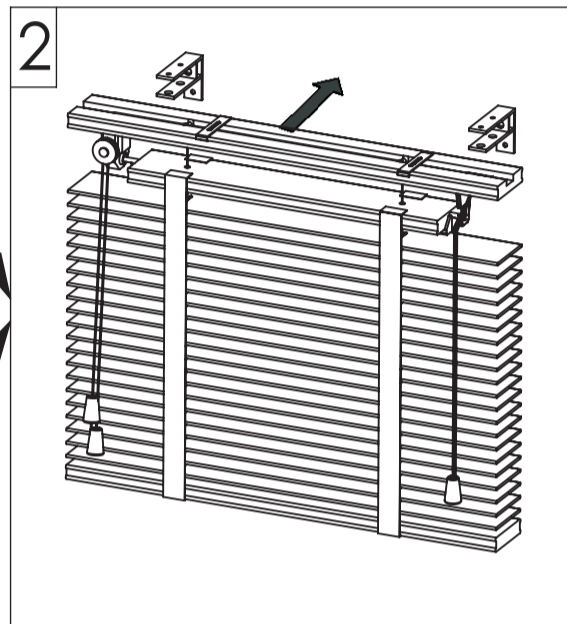
CEILING



WALL



ASSEMBLY



Ver: 2

CODE NUMBER: 7408030