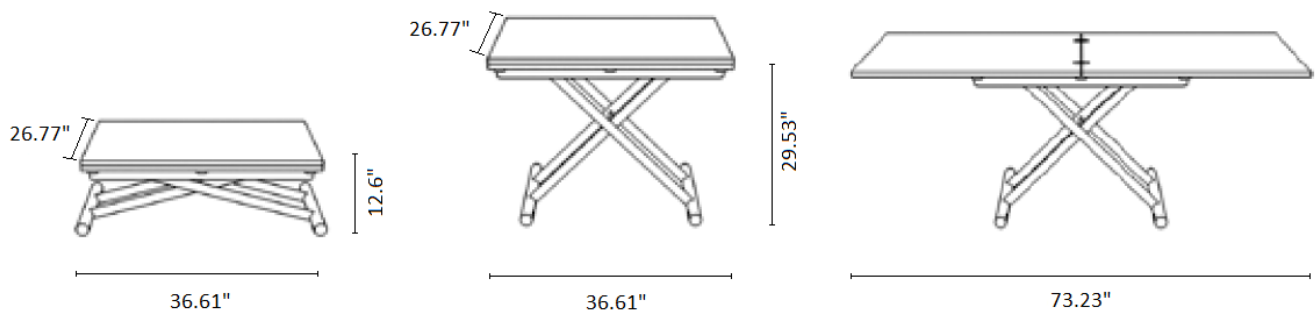


AC GINGI



The "AC GINGI" is a transformable coffee to dining room table with a delicate chrome base. The result is a functional table that doubles its size in width and at the same time maintains a refined and sleek style with only two moves. Adjusting from 36.61" wide when closed to 73.23" wide when open, the "AC GINGI" allows seating from two to six people. The height can be adjusted anywhere between 12.6" to 29.53" and can only be controlled manually.

Top available in laminate, glass, lacquer, stained wood, mortar-look or ceramic top
X base available in inox (stainless), matte white, black, graphite, or taupe



"AC GINGI"

FINITURE PIANO - FINITIONS PLATEAU - TOP FINISHES

	CODICE - CODE	FINITURA - FINITION - FINISH
NOBILITATO - MÉLAMINE - MELAMINE		
	N05 N16 N17 N18 N19 N20 N21 N23 N24 N25	BIANCO MATRIX FANGO BIANCO LISCIO ROVERE ORLEANS BRUNO ROVERE ORLEANS SABBIA NATURAL HALIFAX OAK PINO JACKSON CEMENTO ARDESIA VINTAGE CHIARO
LEGNO - BOIS - WOOD		
	W01 W02 W03 W04 W06 W07	ROVERE NATURALE ROVERE GRIGIO ROVERE TABACCO ROVERE NODATO ROVERE JUTA ROVERE FUMÉ
LACCATO - LAQUE - LACQUERED		
PORO APERTO - PORES OUVERTS - OPEN PORE	L31 L32 L33 L34 L35 L39 L40	BIANCO LUCE BIANCO PANNA BIANCO VELA GRIGIO CORDA GRIGIO CANAPA ROSSO ARAGOSTA TORTORA
EFFETTO MALTA - EFFET-BÉTON - MORTAR LOOK		
	E01 E02 E03 E04 E05 E06 E07 E08 E09 E10 E11 E12 E13 E14 E15 E17 E19	CORTEN BLACK CORTEN GOLD CORTEN SILVER METALLI VISSUTI NICHEL METALLI VISSUTI RAME BETON TORTORA BETON NERO BETON GRIGIO SCURO BETON GRIGIO CHIARO PIETRA SPATOLATA TORTORA PIETRA SPATOLATA NOTTE PIETRA SPATOLATA CENERE PIETRA SPATOLATA PERLA PIETRA SPATOLATA ANTRACITE PIETRA SPATOLATA TRAVERTINO PIETRA SPATOLATA ANTRACITE ARDESIA ALLUMINIO BIANCO ASSOLUTO
VETRO - VERRE - GLASS		
	G01 G02 G03 G04 G05 G06	VETRO BIANCO VETRO TORTORA VETRO NERO VETRO BIANCO ACIDATO VETRO TORTORA ACIDATO VETRO NERO ACIDATO
CERAMICA - CERAMIQUE - CERAMIC		
	K01 K02 K03	SALE TERRA PIOMBO