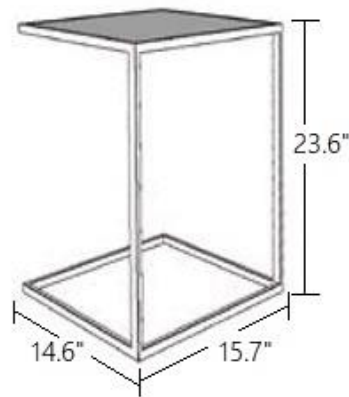


## UP SIDE TABLE



"UP" is a functional side table / laptop table. All the legs are in stainless steel – polished, brushed or lacquered. This side table can be transformed into a reading desk / laptop table by simply pulling forward so the table top is angled.

Available in lacquer, leather or oak veneer



## UP SIDE TABLE

### Up side table / laptop table

**Metal frame:** stainless steel polished (-1), stainless steel brushed (-2) or stainless steel lacquered (-8)

**Powder coating colours:** sand -80, choco -81, black-82, white -83, bronze -86, taupe -87

Pantex matt white -73  
Pantex matt black -72  
Pantex matt mocca -71  
Pantex matt taupe -77

Pantex glossy white -63  
Pantex glossy black -62  
Pantex glossy mocca -61  
Pantex glossy taupe -67

Leather white -13  
Leather black -12  
Leather choco -11  
Leather taupe -07  
Leather graphite -09  
Leather bordeaux -08  
Leather sand -10  
Leather nougat -06

Microleather beige -01  
Microleather light brown -02  
Microleather anthrazite -03  
Microleather brown -04  
Microleather gray -05

Matt lacquer snow white -43  
Matt lacquer black magic -42  
Matt lacquer mocca -41  
Matt lacquer taupe -47  
Matt lacquer graphite -45  
Matt lacquer bordeaux -46  
Matt lacquer sand -48

Oak veneer nature -15  
Oak veneer fine dark -14  
Walnut veneer -16

Piano lacquer snow white -33  
Piano lacquer black magic -32  
Piano lacquer mocca -31  
Piano lacquer taupe -37  
Piano lacquer graphite -35  
Piano lacquer bordeaux -36  
Piano lacquer sand -38

Macassar veneer -17