



Standard 25 x 24 mm head rail, superbly engineered components and 16 mm wide aluminium slats in a multitude of colours plain or perforated. Available with traditional cord/wand or magic wand control system or battery tilting by remote control.

Options

Control side	1100	Right
	1101	Left
	1103	Lift right - Tilt left ¹⁾
	1104	Lift left - Tilt right ¹⁾
Control system ²⁾	1200	Cord - Wand
	1208	Magic wand

Fixation	1300	Swivel brackets
	1302	Ceiling brackets
	1306	Extension brackets 6/10 cm
	1307	Extension brackets 14/17 cm
	1340	Bracket for windows

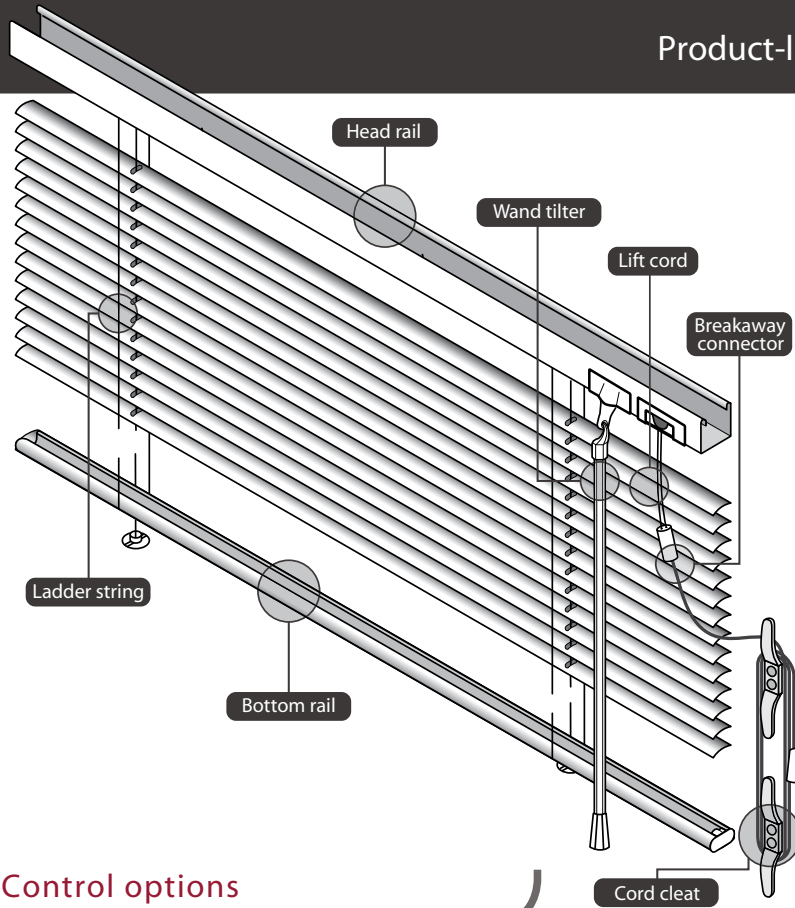
Others	1903	Side guide for windows
	1904	Side guide
	1910	Side guide full bottom rail
	1942	2 Color Combinations
	1943	3 Color Combinations
	1944	4 Color Combinations
	1945	Aluminium rail
	1950	Side by side

Properties

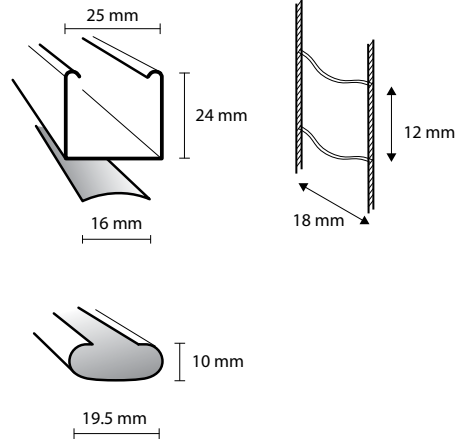
Slat material	Crowned high tensile aluminium plain colors, special effects, perforated and printed
Slat width	16 mm
Head rail	Roll formed steel painted 25 x 24 x 0.5 mm
Bottom rail	Roll formed steel painted 19.5 x 10 x 0.5 mm
Cord	Polyester 1.4 mm
Ladder string	Polyester width 18 mm
	Distance between ladder rungs 12 mm
Tilt wand	Transparent plastic 7 mm hexagonal

Sundries

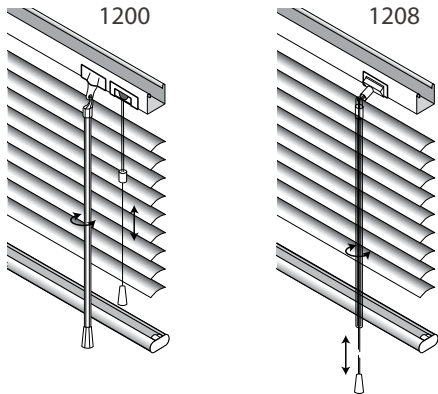
¹⁾ Control side	Only possible for Control system 1200
²⁾ Cord/Wand length	Standard 2/3 of the height Special length on request



General Topics System V13/16



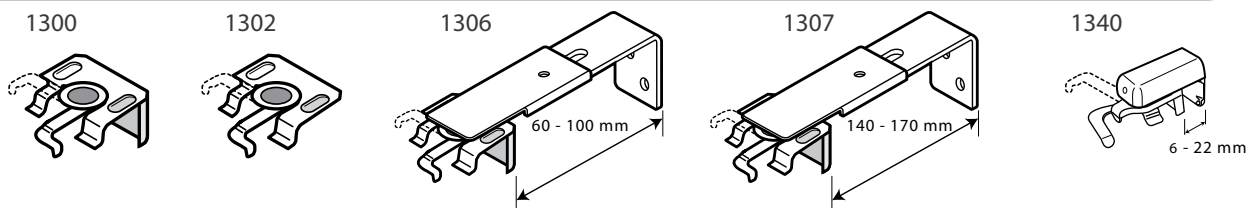
Control options



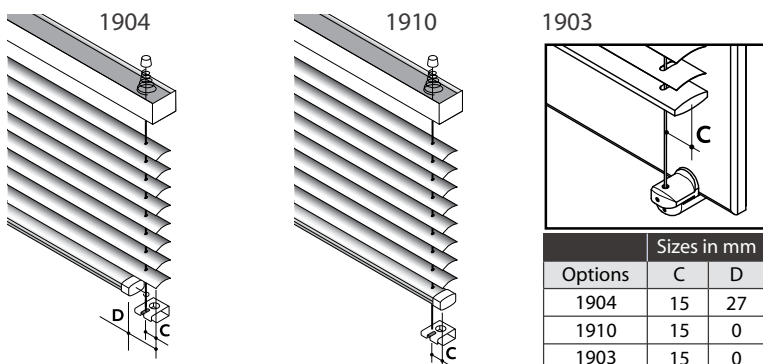
Size restrictions

Control option	Sizes in cm		Area sq.m.	
	width	height		
1200	Max.	250	250	6,2
	Min.	20	20	0,04
1208	Max.	180	300	3,6
	Min.	35	20	0,04

Fixation options



Others



Stacking height

