



Sturdy blind raised and lowered by “mono” operation of chain special hi-tech crank or electric motor.  
 35 mm wood slats, bottom rail and valance piece.  
 Head rail 57 x 51 mm.

**Options**

Control side	1100	Right
	1101	Left
Control system <sup>1)</sup>	1211	Mono chain
	1226	Mono crank- 35/50 mm <sup>2)</sup>
	****	Mono electric
	For all options see page no 7	

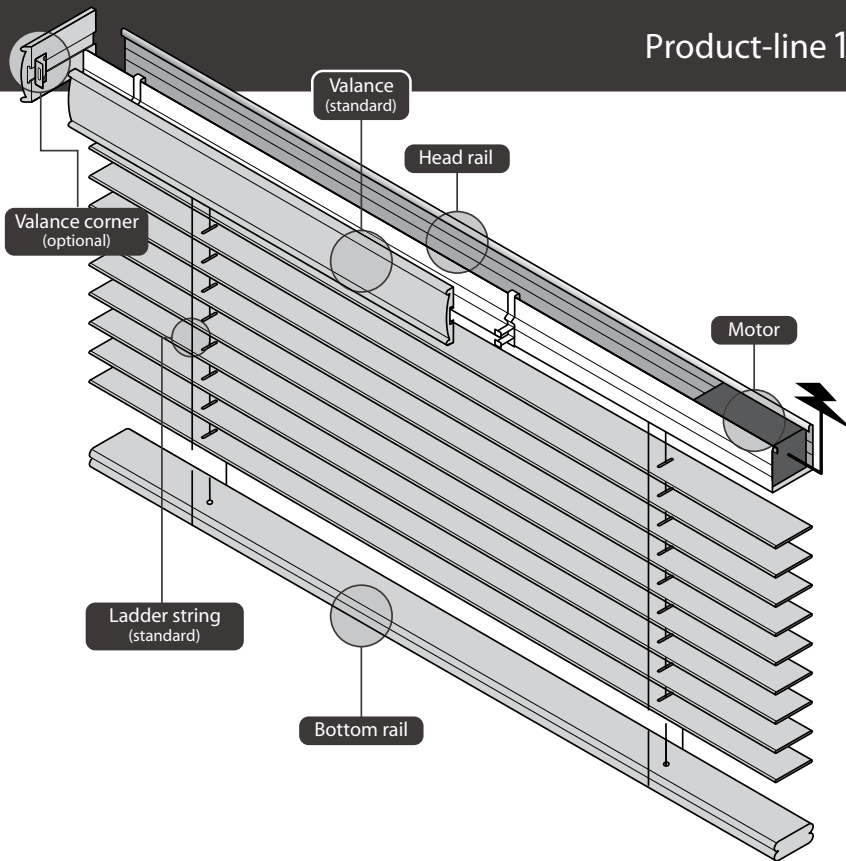
Fixation	1304	Side brackets
	1300*	Swivel brackets
Others	1904	Side guide
	1907	Corner wood Valance
	1908*	Ladder tape 1"
	1910	Side guide full bottom rail
	1942	2 color combination
	1943	3 color combination
	1944	4 color combination
	1946	Aluminium head rail
1950	Side by side	
*For mono chain only		

**Properties**

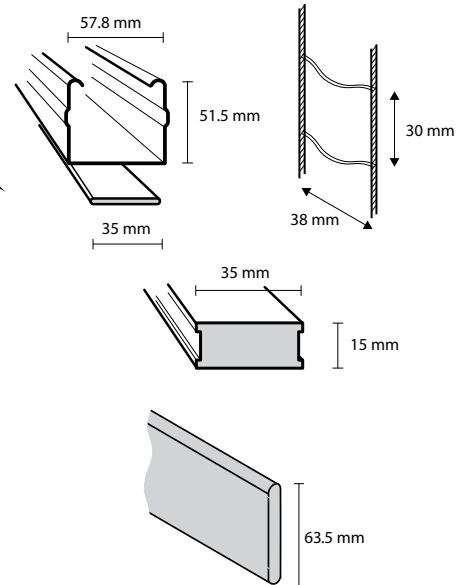
Slat material	High quality painted wood
Slat width	35 mm
Head rail	Roll formed steel painted 57.8 x 51.5 x 0.5 mm Aluminium rail for mono chain/mono electric
Bottom rail	Painted wood 35 x 15 mm
Ladder string	Polyester width 38 mm Distance between ladder rungs 30 mm
Crank	Aluminium 12 mm
Chain	Polyester card 2 mm and 6x4.5 mm plastic balls (White/Cream/Brown/Black)
Chain Control	Ratio 1:4 (Over than 6 sqm Ratio 1:8) White only.

**Sundries**

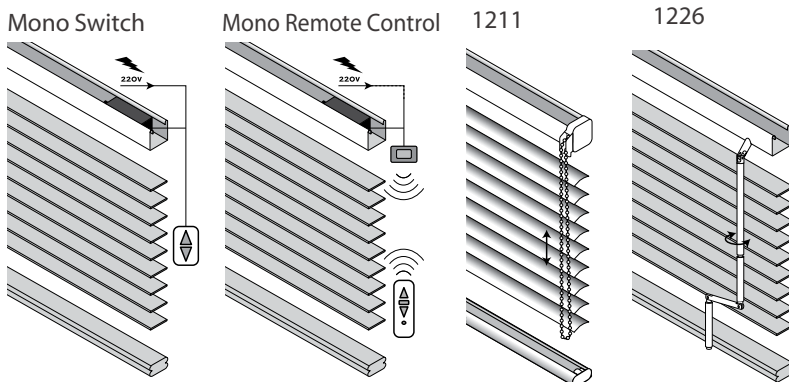
<sup>1)</sup> Wand / Chain length	Standard 2/3 of the height Special length on request
<sup>2)</sup> Mono crank	Not clinging to the ceiling (distance from ceiling 10 mm)
Color coordinated components	On request for projects



### General Topics System V16/35



### Control options

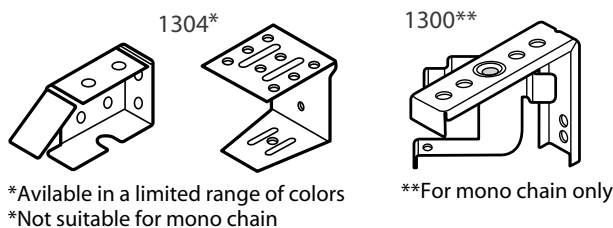


### Stacking height

Height (A)	Sizes in mm	
	Height (B) LC	*LT
500	125	140
1000	185	200
1500	245	260
2000	305	320
2500	365	380
3000	425	440
3500	485	500
4000	545	

LC = Ladder cord  
\*LT = Ladder tape  
\*For mono chain only

### Fixation options



### Size restrictions

Control option	Sizes in cm			
	width	height	Area sq.m.	
Mono Electric	Max.	270	400	8,4
	Min.	63-75*	40	0,24
1226	Max.	270	300	6,3
	Min.	45	40	0,18
1221	Max.	270	350	9,5
	Min.	60	40	0,24

\*Depeng of motor type

### Others

