

The Orgon standard electrically operated motorized system for blinds no larger than 250 cm x 300 cm.

Options

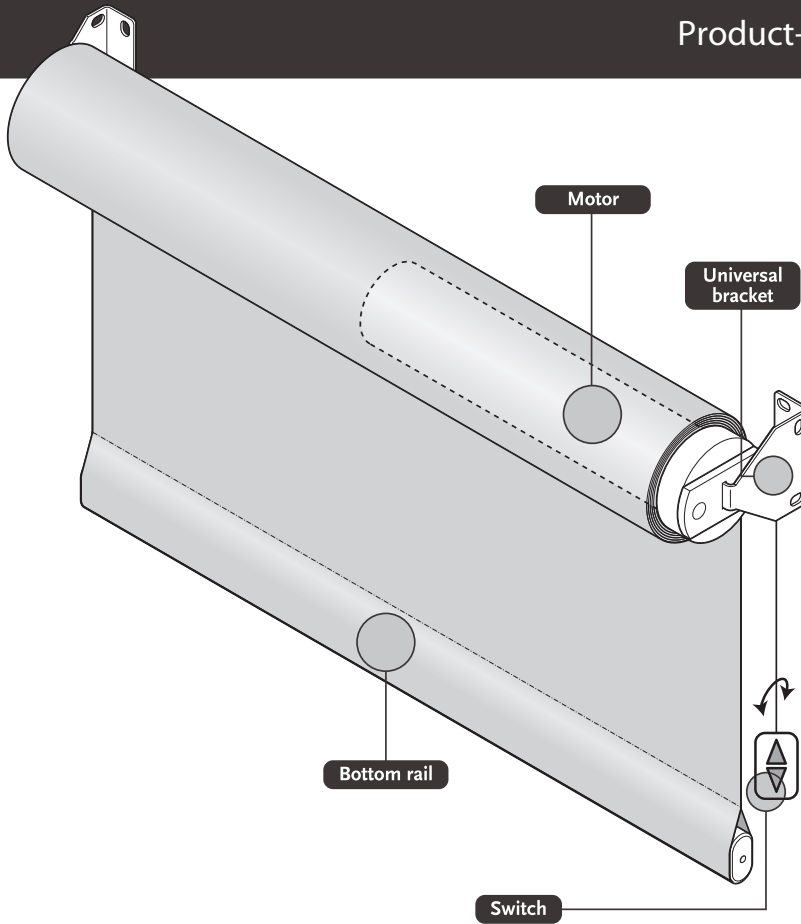
Control side	5100 Control-right 5101 Control-left	Fixation	5310 Universal brackets
Control system	**** Mono electric	Others	5690 Digital print 5940 Inserted bottom rail (3 colors) 5972 Rollup reverse

Properties

Tube	Aluminium, Ø 40 x 1.5 mm
Bottom rail	C-type steel painted white 19.5 x 10 x 0.5 mm
Universal brackets	Metal brackets
Inserted bottom rail (option)	Aluminium painted white/cream/grey 21 x 11.5 mm

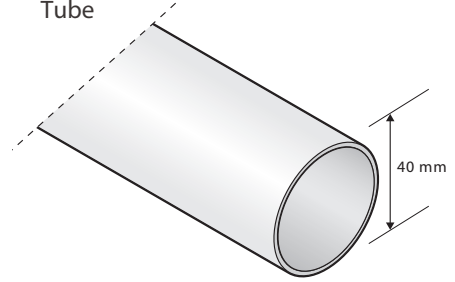
Sundries

Tube	Covered by single thickness of fabric
------	---------------------------------------

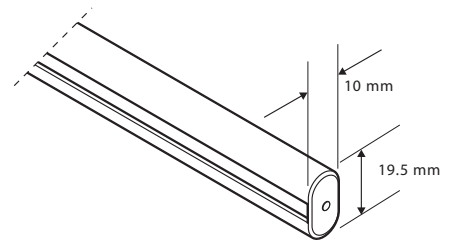


Standard Topics

Tube



Bottom rail

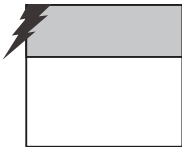


Control sides

5100

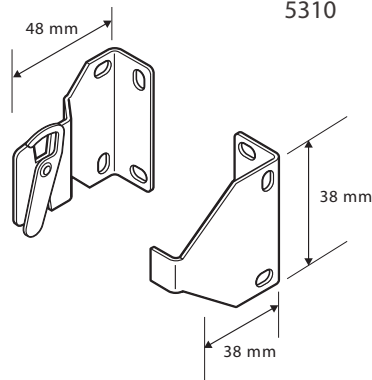


5101



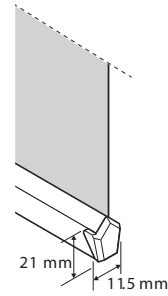
Fixation options

5310

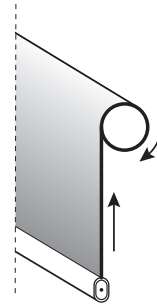


Others

5940



5972



Size restrictions

Size Ind.	Sizes in mm		Remarks
	min.	max	
A	550-700*	2500	Daylight/Blackout
		2000	Screen up to 480 gr
A ¹	19		
A ²	18		
B	300	3000	Daylight/Blackout
		2600	Screen up to 480 gr
C	90		
D	A -/- 37		
AxB (sqm)	0.16	7.5	Daylight/Blackout
	0.16	4.6	Screen up to 635 gr

* Depend on motor type

