

Sunsee is an unique modern blind system which permits the user to control exactly how much light or shade enters the room while the elegant woven fabric creates a delightfully warm and friendly atmosphere.

### Options

Control side	6100	Control-right
	6101	Control-left
Control system	6217	Chain
	****	Monoelectric

Fixation	6300	Universal bracket
	6323	Extension bracket 15-65 mm

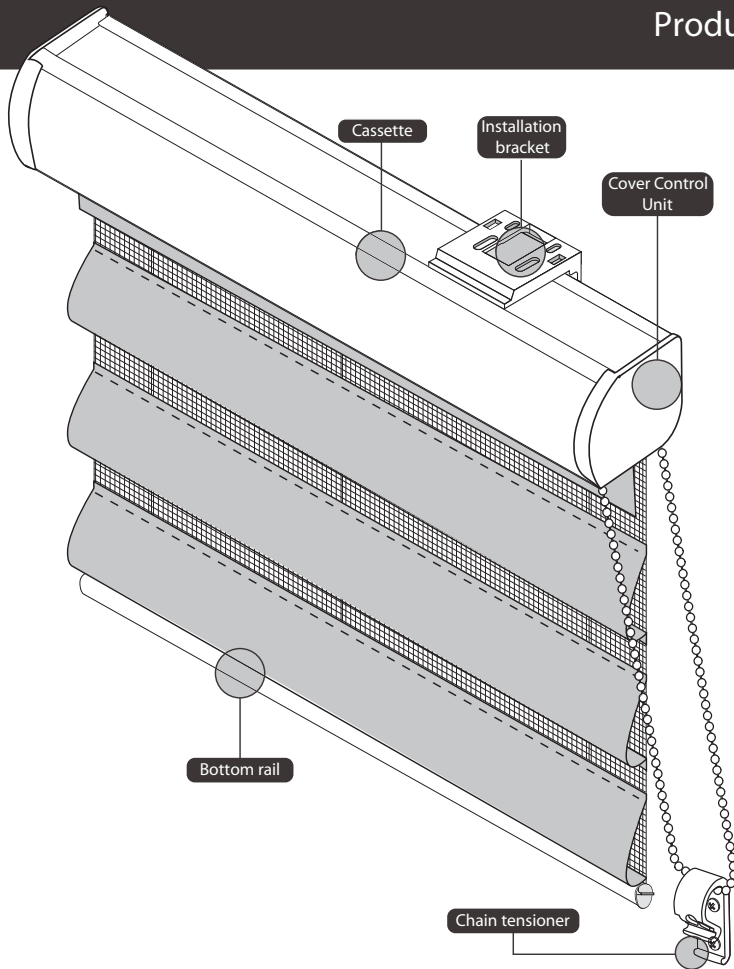
Others	6950	Side by side
	6960	Metal chain
	6970	Anodized profile
	6971	Cream profile
	6972	Brown profile
	1988	Project

### Properties

Tube	Ø 38 x 1 mm aluminium tube
Chain	White plastic balls 6 x 4.5 mm
Control unit	Chain operated control unit
Bottom rail	Aluminium 20 x 14 mm painted white
Cassette	Aluminium painted white height 70 mm x width 84 mm include brackets
Installation bracket	Universal plastic brackets
Chain weight	Plastic white
Chain tensioner	Transparent child safety tensioner

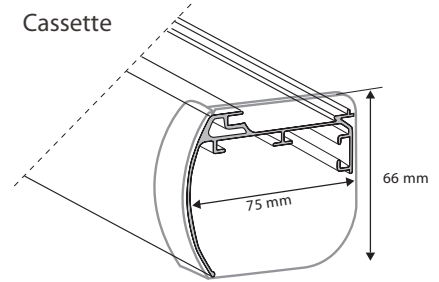
### Sundries

Chain length	Standard 2/3 of the height Special length on request
--------------	---

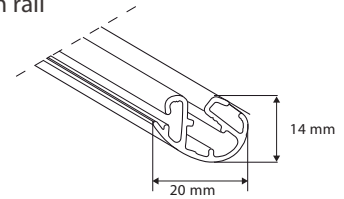


## Standard Topics

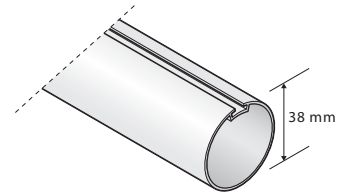
Cassette



Bottom rail

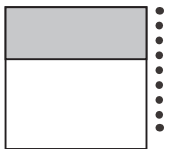


Tube

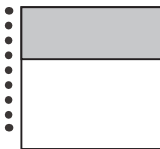


## Control sides

5100

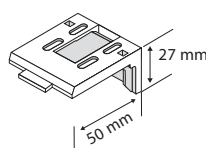


5101

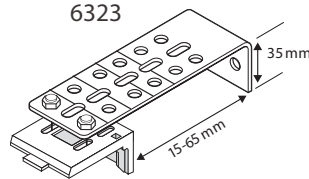


## Fixation options

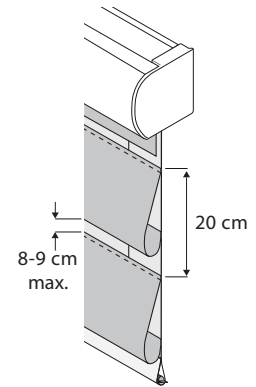
6300



6323



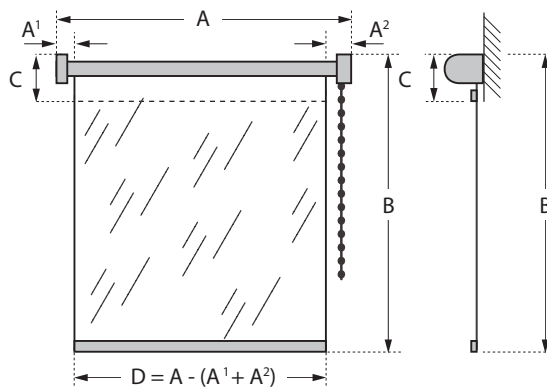
## Folds



## Size restrictions

Size Ind.	Sizes in mm		Remarks
	min.	max.	
A	300	2400	Chain
A <sup>1</sup>	400-500	2400	Electric
A <sup>2</sup>	20		
B	500	2700	
C	70		
D	A -/- 35		

\*Depending on the width of the fabric



## Others

5960

