



*Simply built stronger*

Murervej 5  
DK-6710 Esbjerg V , Denmark  
Tel:(+45) 75168411  
Fax: (+45)75168412  
E-mail:eurosshatal@shatal.com  
www.shatal.com

ENGLISH

## **OPERATING INSTRUCTIONS & SPARE PARTS LIST**



### **POWER TROWEL ST62L - M12900.F – ELECTRIC MOTOR**

FIRST EDITION JUNE 2005  
UPDATE DEC. 2005



ENGLISH



**CE DECLARATION OF CONFORMITY**

We hereby declare that the equipment described below conforms to relevant fundamental safety and health requirements of the appropriate CE Directives, both in its basic design and construction. This declaration will cease to be valid if any modifications are made to the machine without our expressed approval.

Product: Power Trowels Electric Model : ST62L

Relevant CE Machinery Safety Directives **98/37/EC, 2004/108/EC, pr EN 12649, 2000/14/EC**  
Appropriate internal measures have been taken to ensure that series-production units conform at all times to the requirements of current CE Directives and relevant standards.  
The signatories are empowered to represent and act on behalf of the company management.

**Murervej 5  
DK-6710 Esbjerg V , Denmark  
Tel:(+45) 75168411  
Fax: (+45)75168412  
E-mail:euroshatal@shatal.com**

**GENERAL MANAGER**

  
\_\_\_\_\_  
NOVEMBER 2003



**INDEX OF CONTENTS**

<b>OPERATION</b>	<b>PAGE</b>
SAFETY INSTRUCTIONS -----	2-4
SAFETY INFORMATION -----	5
TECHNICAL DATA DIMENSIONS -----	6
TECHNICAL DATA AND SPECIFICATION -----	7
OPERATION -----	8-10
MAINTENANCE -----	11
SCHEMATIC WIRING DIAGRAM -----	12
 <b>SPARE PARTS</b>	
INSTRUCTIONS FOR ORDERING PARTS -----	13
GEAR BOX,SPIDER AND TROWELS ASSY. -----	14-15
GUARD RING AND MOTOR MOUNTING ASSY. -----	16-17
HANDLE ASSY. -----	18-19

# SAFETY INSTRUCTION- QUICK GUIDE

## POWER TROWELS ST62L

### ELECTRIC MOTOR

ENGLISH



Laws governing safety aspects on machinery vary between countries but the following guides will be useful to all operators:



Before starting, carefully read the machine maintenance and operating manual and follow all the instructions.



Users should carefully follow any operating instructions given.



Never operate the machine without the belt guard.



Keep hand and feet away from moving parts while the machine is running.



Do not operate the machine in closed places and inflammable environment.



Operating the machine is advisable only with good lighting conditions.



Ensure that the power supply is connected to an earth leakage circuit breaker.



#### **DANGER OF ELECTROCUTION!**

Danger of electrocution or severe electrical shock is present in the trowel motor any time the motor is plugged in. Read all safety information contained in this section before operating or servicing this equipment.



No one except a trained electrician should perform repairs to the motor and switches.



**NEVER** allow anyone to operate this equipment without proper training.



**NEVER** leave the machine running unattended.

**SAFETY INSTRUCTION- QUICK GUIDE**  
**POWER TROWELS ST62L**  
**ELECTRIC MOTOR**

ENGLISH



**NEVER** operate this machine in applications for which it is not intended.



**DO NOT** operate the trowel with the Dead Man Control Handle disabled. Serious injury could occur if struck by rotating trowel due to disabling this safety device.



**ALWAYS** store equipment properly when it is not being used. Equipment should be stored in a clean, dry location out of the reach of children.



**NEVER** operate trowel with damaged or worn electrical cord!  
When using an extension cord be sure to use one heavy enough to carry the current load.



**DO NOT** operate electrical devices in rain or snow.  
Keep motors, witch and electrical cords dry.



**DO NOT** plug in the trowel with the motor cover, or terminal box cover removed.



**NEVER** allow trowel blades to cut or become entangled in the power cord.



**ALWAYS** check the power supply before running the trowel. Using the wrong voltage supply will damage the motor.



**DO NOT** attempt to clean or service trowel while it is plugged in to the power supply.  
**DO NOT** wash trowel with electrical covers removed.  
**DO NOT** use a high pressure washer to clean electrical equipment.



Only operate the machine with a fully earthed-plug, do not operate the machine in case of doubt.

**SAFETY INSTRUCTION- QUICK GUIDE  
POWER TROWELS ST62L  
ELECTRIC MOTOR**

ENGLISH



When operate the machine, always wear noise reduction ear protectors and safety glasses.



When operate the machine, always wear safety shoes and safety clothing.

# SAFETY INFORMATION POWER TROWELS ST62L ELECTRIC MOTOR

ENGLISH



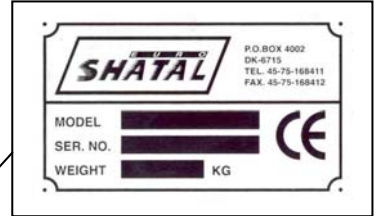
DISCONNECT VOLTAGE  
BEFORE REMOVING  
PROTECTION



**VIEW-A**



WARNING!  
HAND INJURE IF CAUGHT IN  
MOVING BELT.  
ALWAYS REPLACE  
BELT GUARD



A NAMEPLATE LISTING THE  
MODEL NUMBER, ITEM  
NUMBER, IS ATTACHED TO  
EACH UNIT.  
PLEASE RECORD THE  
INFORMATION FOUND ON  
THIS PLATE SO IT WILL BE  
AVAILABLE SHOULD THE  
NAMEPLATE BECOME LOST  
OR DAMAGED.  
WHEN ORDERING PARTS  
OR REQUESTING SERVICE  
INFORMATION, YOU WILL  
ALWAYS BE ASKED TO  
SPECIFY THE MODEL, ITEM  
NUMBER OF THE UNIT.



DANGER!  
ELECTRIC SHOCK  
HAZARD



READ AND  
UNDERSTAND  
THE SUPPLIED  
OPERATOR'S  
MANUAL BEFORE  
OPERATING THIS  
MACHINE.

WEAR EAR  
PROTECTION

WEAR EYE  
PROTECTION

WEAR BOOTS

**TECHNICAL DATA AND  
SPECIFICATION  
POWER TROWELS ST 62L  
ELECTRIC MOTOR**

ENGLISH



**MOTOR**

Model		90 L / 2
Motor output	kW	2.2
Motor speed	rpm	2750
Power requirements	Volts/phase	220 / 1Ø
Frequency	Hz.	50
Operating current	Amps	13.7
IP rating		54

**TROWEL**

Trowel Diameter	mm	605
Number of Blades		4
Speed range	rpm	82
Pitch range	degrees	0 - 15

# OPERATION POWER TROWELS ST62L ELECTRIC MOTOR

ENGLISH

**EURO  
SHATAL**  
*Simply built stronger*

## Before starting



Open the extension handle and locked it.



Place trowel on the concrete and connect to power supply.

## Starting the motor



Press the yellow button and then press the Dead Man Control Handle.



## Operating the trowel

### **NOTE**

Always operate the trowel using the Dead Man Control Handle.

### **Assembly of the float disc**



1. Place the trowel on to the float disc.
2. Rotate the blades so that the blades move underneath the 4 L shaped brackets.
3. Rotate the blade adjustment knob so that the blades rise.
4. Ensure that there is sufficient pressure on the blades and that the disc is tightly attached to the trowel.

### **NOTE**

The trowel is to be used only by experienced operators and they must have the knowledge of when the concrete is ready to be troweled and the angle of the blades.

These instructions should be used as general guidance only.

<b>Ref.</b>	<b>B = Working condition of concrete</b>	<b>C = Suggested working pitch</b>
1	Wet surface working stage	Flat (no pitch)
2	Wet to plastic working stage	Slight pitch (5°)
3	Plastic working stage	Additional pitch (10°)
4	Semi-hard working stage to hard finishing stage (burnishing)	Maximum pitch (15°)

### **Floating concrete**

Use the float disc or the blades set at a small angle for floating.

The concrete should be sufficiently set before the floating operation takes place.

This must be determined by the operator.

To have the machine move to the right bear down slightly on the handle. Lift gently on the handle to have machine move to the left.

Do not operate machine in one spot but keep it moving over the surface for either floating or finishing of concrete. If machine is allowed to stand in one spot while not operating, lift up on the handle to break loose the suction on the trowels and move to a new spot before starting to operate the machine.

### **Finishing concrete**

The finishing operation is carried out with the blades set at a large angle.

**STOPPING:**

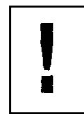


1. Release the Dead Man Control Handle.

**INSTRUCTIONS FOR LIFTING MACHINE**



Never walk or stand under a machine being lifted.



Use only lifting handles (1) for lifting the machine.

**EXTENSION CORDS**

When choosing an extension cord, make sure it has adequate wire size for safety. An undersized cord will cause a drop in line voltage resulting in a loss of power and overheating. The table below shows the correct wire size to use depending on cord length. If in doubt, use the next heavier cord size. On motors being used outdoors, use extension cords rated for outdoor use.

**Improper use of extension cords can cause overheating and create serious fire or shock hazards. NEVER use worn or damaged cords!**

Extension cord length (meters)	Minimum extension cord size (mm <sup>2</sup> )
	220 V / 1Ø
0-20	1.0
20-40	1.5
40-80	1.5
80-100	2.5

**MAINTENANCE  
POWER TROWELS ST62L  
ELECTRIC MOTOR**

ENGLISH



**TROUBLESHOOTING**

Problem / Symptom	Reason / Remedy
Trowel does not develop full speed.	<ul style="list-style-type: none"> <li>• Power supply is not proper voltage.</li> <li>• Clean debris from moving parts and trowel blades.</li> </ul>
Motor run, poor trowel operation.	<ul style="list-style-type: none"> <li>• Check belt for wear or damage. Tighten belt if necessary.</li> <li>• Clean debris from moving parts and trowel arms.</li> </ul>
Motor does not run, or runs erratically.	<ul style="list-style-type: none"> <li>• Check motor on/off switch position.</li> </ul>
Motor stops, won't restart.	<ul style="list-style-type: none"> <li>• Motor overload switch has tripped. Contact a certified electrician.</li> </ul>
Motor runs but blades do not rotate.	<ul style="list-style-type: none"> <li>• Broken / Missing v-belt. Replace.</li> </ul>

**SERVICE POINTS**



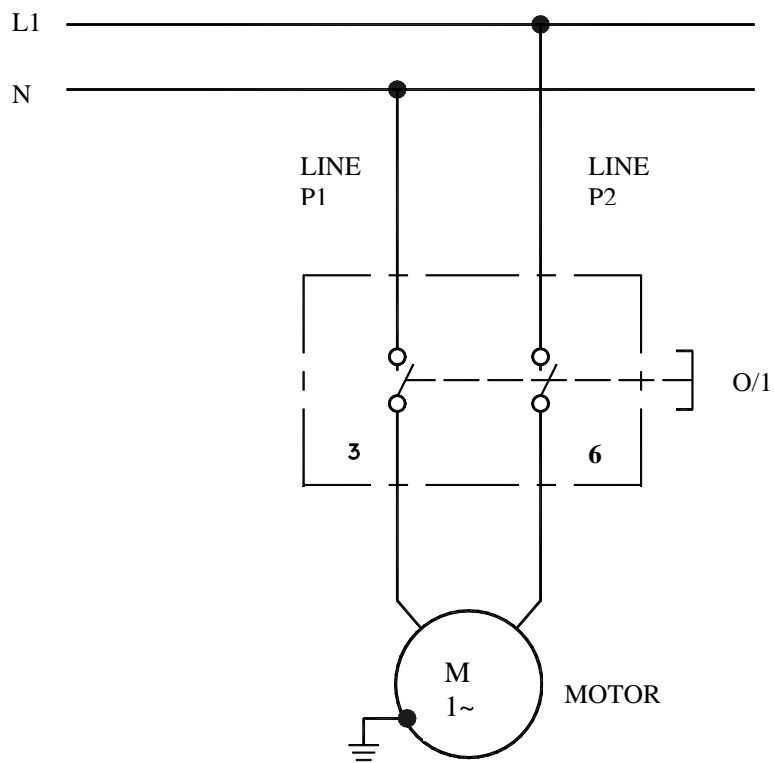
- ★ Only carry out maintenance work with the engine switched off.
- ★ Observe all relevant laws and regulations governing the handling and disposal of used oil , filters and cleaning agents.
- ★ When maintenance work has been completed , check that all tools have been removed from the engine and all protective guards refitted.

**Maintenance chart:**

Maintenance interval	Maintenance work required
After use	★ Clean the machine well.
Every 250 Operating hours	★ Check that all bolts are tight.

**SCHEMATIC WIRING DIAGRAM  
POWER TROWEL ST- 62L  
ELECTRIC MOTOR**

ENGLISH





**Please State Machine Details in the Following Sequence:**

- Machine Serial Number**
- Part Number, Description and Quantity of Parts**
- Full Delivery Address**

**Manufacturers Liability and the Use of Genuine Spare Parts**

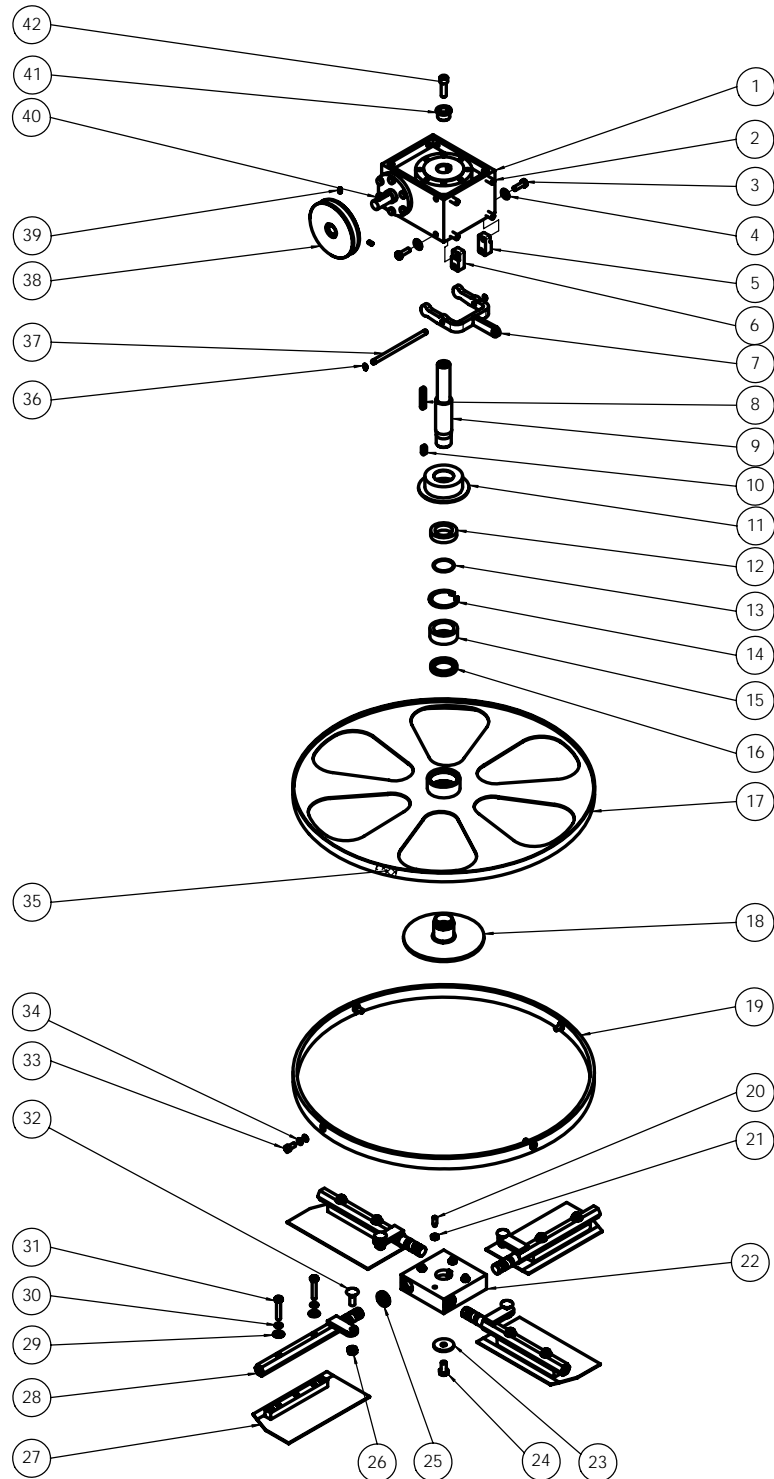
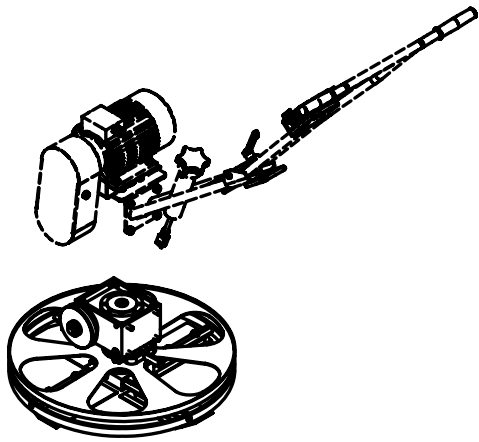
Liability for this machine is accepted only when the machine is defective from the outset. Liability is reduced or nullified in the event that the user fails to comply with the operating and maintenance instructions and uses spare parts which are not guaranteed.

**Contents**

Gear box , Spider and trowels Assy. ----- 14-15

Guard Ring and Motor Mounting Assy. ----- 16-17

Handle Assy. ----- 18-19



POWER TROWEL ST62L ELECTRIC MODEL  
 GEAR BOX, SPIDER & TROWELS ASSY.  
 (SEE PARTS LIST PAGE 15)

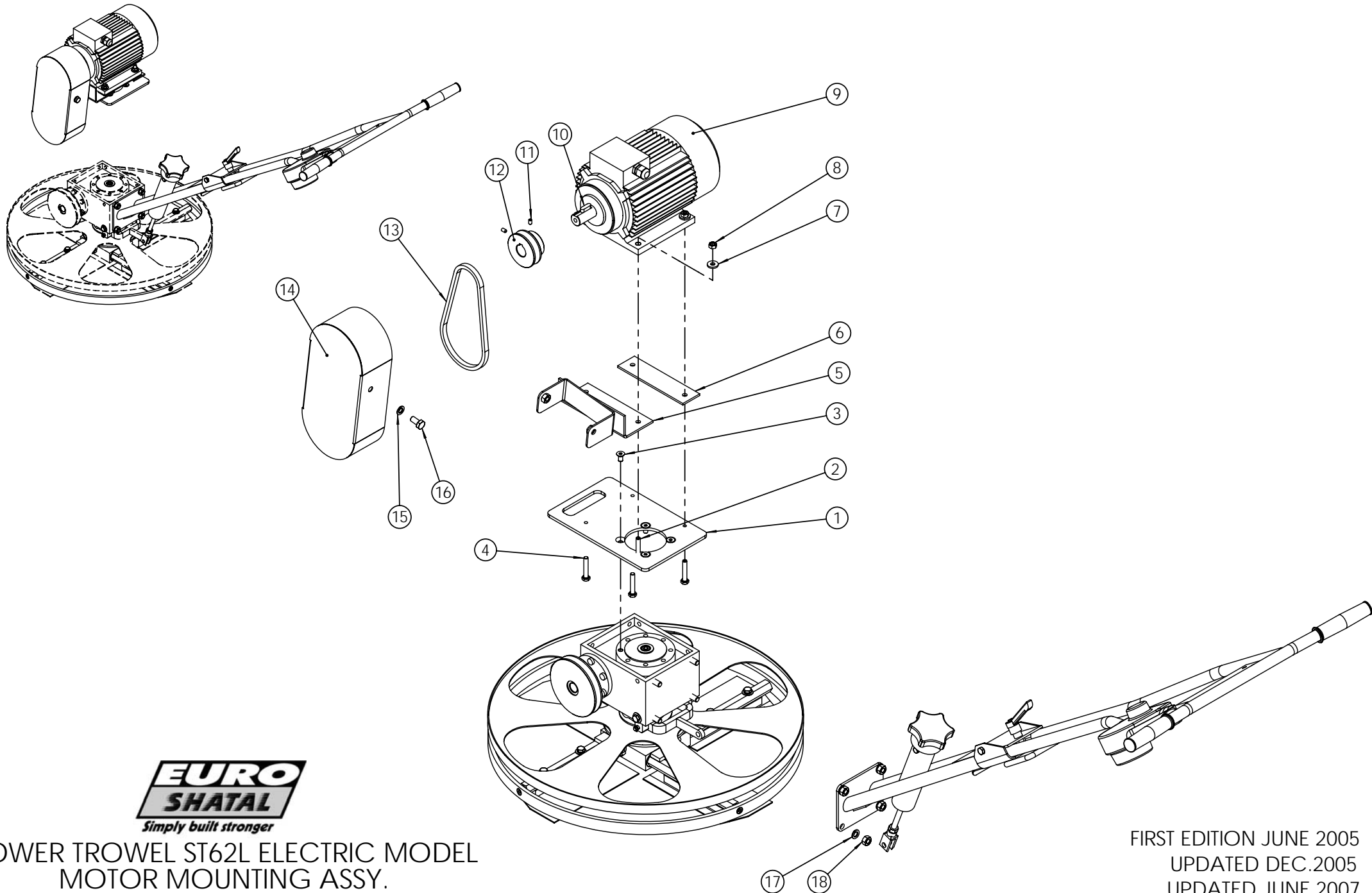


ENGLISH

**POWER TROWEL ST- 62L  
( WITH ELECTRIC MOTOR )  
SPARE PARTS LIST  
GEAR BOX,SPIDER & TROWELS ASSY.**

NO.	DESCRIPTION	PART NO.	QTY.
1	GEAR BOX	129977.1	1
2	STUD	129953	4
3	HEXAGON HEAD SCREW	/	2
4	WASHER	/	2
5	RIGHT PIVOT BLOCK	129557	1
6	LEFT PIVOT BLOCK	129556	1
7	TILTING YOKE	129561	1
8	KEY	32199	1
9	SHAFT	129551	1
10	KEY	129964	1
11	BEARING COVER	129562	1
12	THRUST BEARING	P50967	1
13	SNAP RING FOR SHAFT	129981	1
14	RETAINING RING FOR BORES	129982	1
15	BALL BEARING	P50980	1
16	BALL BEARING	P50947	1
17	RING GUARD	129601	1
18	PRESSURE PLATE	129554	1
19	STABILIZER RING	129621	1
20	HEXAGON SOCKET SET SCREW WITH DOG POINT	129972	4
21	HEXAGON NUT	/	4

NO.	DESCRIPTION	PART NO.	QTY.
22	SPIDER	129550	1
23	WASHER	/	1
24	HEXAGON HEAD SCREW	128923	1
25	OIL SEAL	129971	4
26	HEXAGON NUT	/	4
27	COMBINATION BLADE	P12904.HD	4
28	TROWEL ARM	129545	4
29	WASHER	/	8
30	SPRING WASHER	/	8
31	HEXAGON HEAD SCREW	/	8
32	MUSHROOM HEAD SQ. NECK SCREW	129954	4
33	HEXAGON SOCKET HEAD CAP SCREW	129904	4
34	SCHNORR-LOCKING DISC SPRING	116900	8
35	RUBBER	129976	
36	RETAINING RING FOR SHAFT	129959	2
37	PIVOT PIN	129558	1
38	DRIVEN PULLEY	P51194	1
39	HEXAGON SOCKET SET SCREW	128940	2
40	KEY	/	1
41	GEAR BUSHING	129594	1
42	HEXAGON SOCKET HEAD CAP SCREW	111929	1



POWER TROWEL ST62L ELECTRIC MODEL  
 MOTOR MOUNTING ASSY.  
 ( SEE PARTS LIST PAGE 17 )

FIRST EDITION JUNE 2005  
 UPDATED DEC.2005  
 UPDATED JUNE 2007





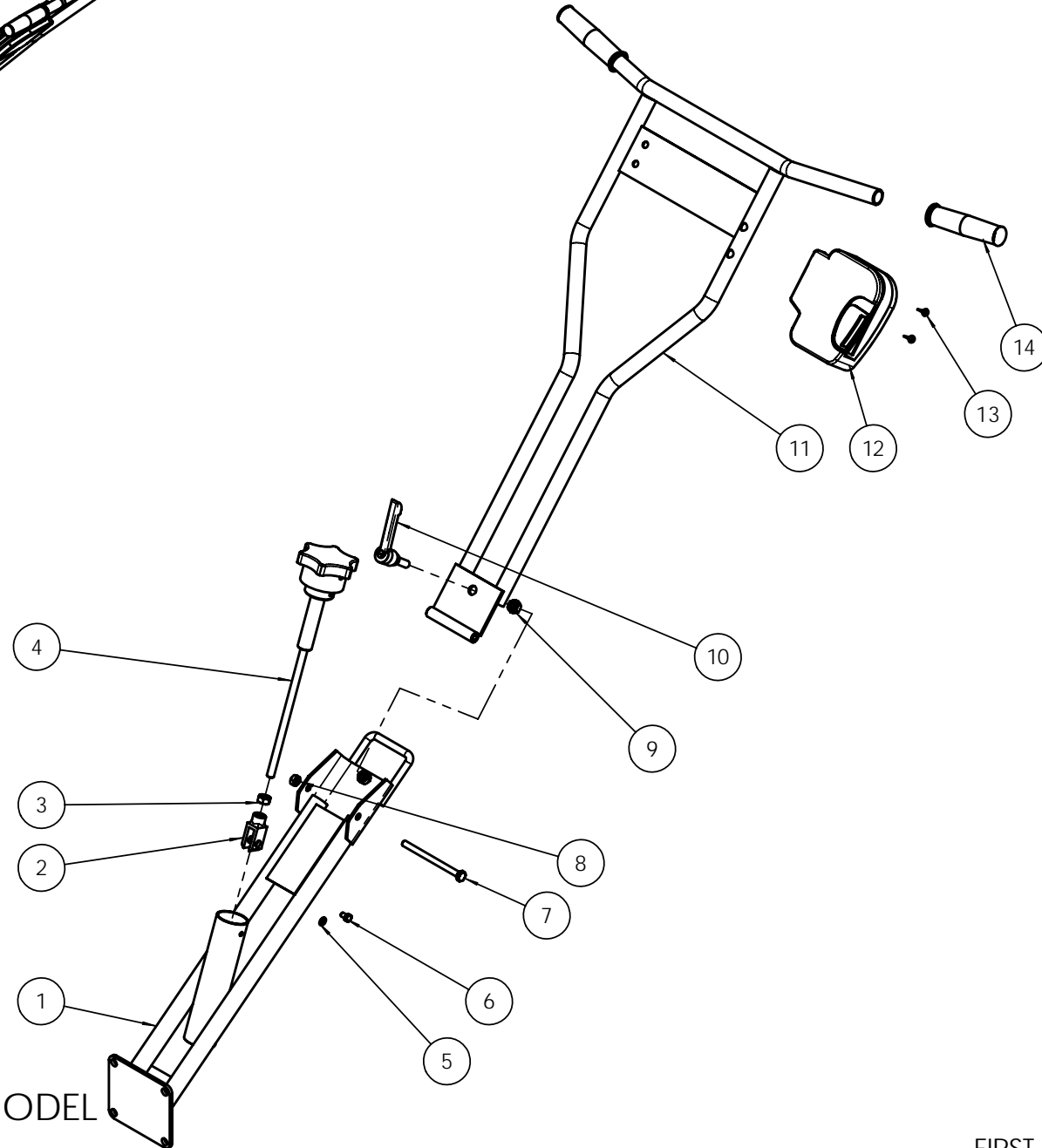
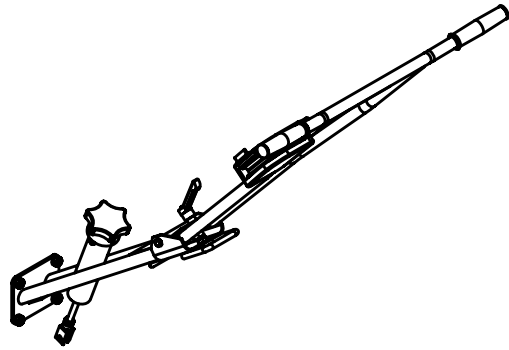
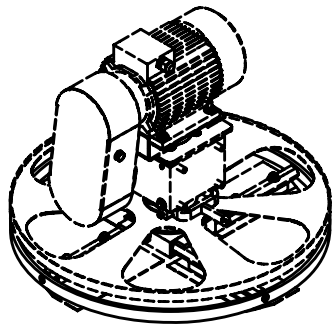
ENGLISH

**POWER TROWEL ST- 62L  
(WITH ELECTRIC MOTOR)  
SPARE PARTS LIST  
MOTOR MOUNTING ASSY.**

NO.	DESCRIPTION	PART NO.	QTY.
1	ENGINE BASE	129610	1
2	STUD	129956	1
3	HEXAGON SOCKET COUNTERSUNK HEAD SCREW	129944	4
4	HEXAGON HEAD SCREW	/	3
5	BELT GUARD SUPPORT	129615	1
6	MOTOR SPACER	129617	1
7	WASHER	/	4
8	HEXAGON NUT	/	4
9	ELECTRIC MOTOR	I50515.1	1

SEE ILLUSTRATION PAGE-16

NO.	DESCRIPTION	PART NO.	QTY.
10	KEY	/	1
11	HEXAGON SOCKET SET SCREW	128940	2
12	V-BELT PULLEY	P51112	1
13	BELT	50822.A	1
14	BELT GUARD	129592	1
15	SPRING WASHER	/	2
16	HEXAGON HEAD SCREW	/	2
17	SPRING WASHER	/	4
18	HEXAGON NUT	/	4



POWER TROWEL ST62L ELECTRIC MODEL  
HANDLE ASSEMBLY  
(SEE PARTS LIST PAGE 19)

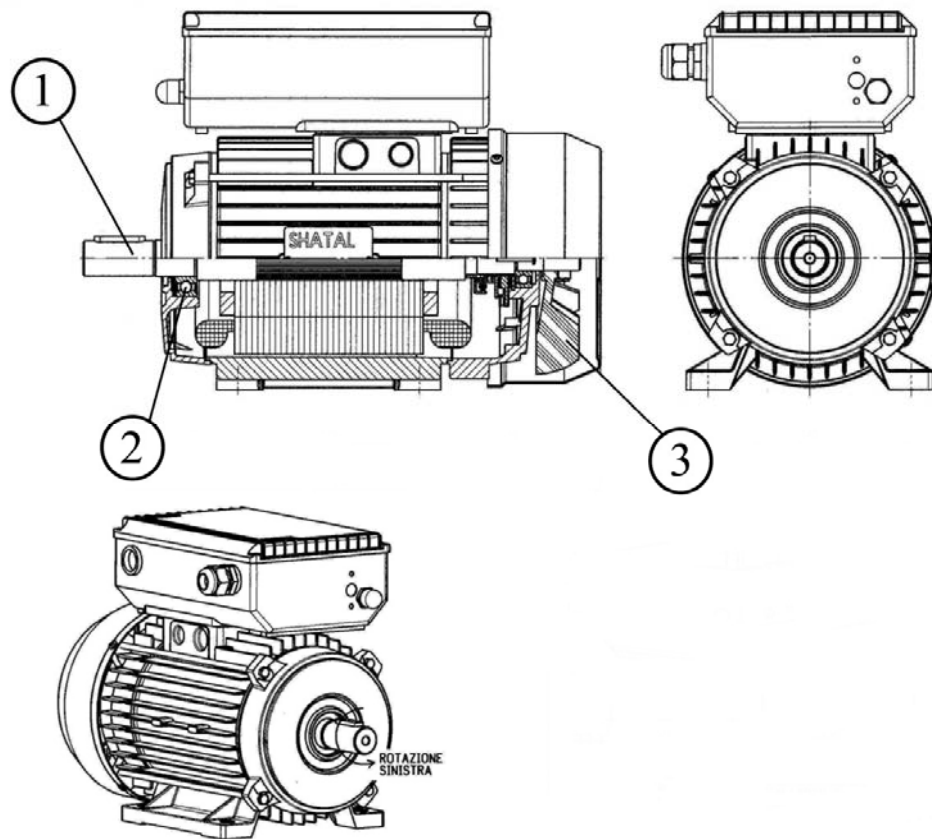


ENGLISH

**POWER TROWEL ST- 62L  
(WITH ELECTRIC MOTOR)  
SPARE PARTS LIST  
HANDLE ASSEMBLY**

NO.	DESCRIPTION	PART NO.	QTY.
1	HANDLE (LOWER END)	129576	1
2	FORK JOINT	111931	1
3	HEXAGON NUT	/	1
4	HANDLE CONTROL SHAFT	129555	1
5	SPRING WASHER	/	1
6	HEXAGON HEAD SCREW	/	1
7	HEXAGON HEAD SCREW	129957	1
8	SELF LOCKING HEXAGON NUT	/	1

NO.	DESCRIPTION	PART NO.	QTY.
9	SELF LOCKING HEXAGON NUT	/	1
10	LOCKING HANDLE	31105.1	1
11	HANDLE (UPPER END)	129581	1
12	STARTER SWITCH	127901	1
13	CROSS RECESSED PAN HEAD	129986	2
14	RUBBER HAND GRIP	111958	2



NO.	DESCRIPTION	PART NO.	QTY.
1	ROTOR SHAFT Ø20	-	1
2	BEARING	2M6205X	2
3	FAN	2EV90AA	1

#### ENGLISH

- Laws governing safety aspects on machinery may vary between countries but the following guides will be useful to all operators:
- Users should carefully follow any operating instructions given.
- Never operate the machine without protection covers for all moving parts or components.
- Never operate the machine in any dangerous fire zone or under weak lighting conditions.
- When operating the machine, always wear noise reduction ear protectors and safety glasses.
- When operating the machine, always wear safety shoes and safety clothing.
- Only operate the machine with a fully earthed-plug , do not operate the machine in case of doubt.
- This machine may only be used under frost - free conditions.

#### DANSK

- Sikkerhedslovgivningen på maskiner kan være forskellige landene imellem, men de følgende retningslinier er nyttige for alle operatører.
- Følg brugsanvisning og service anvisning og alle instruktioner før start, venligst læs nøje.
- Anvend aldrig maskinen motor, rem og blad beskyttelse.
- Hold finger og fødder væk fra bevægelige dele når maskinen arbejder.
- Brug ikke maskinen i lukkede eller brandfarlige områder.
- Brug kun maskinen i veloplyste områder med rigtig arbejdsbelysning.
- Høreværn skal altid bruges.
- Sikkerhedssko skal altid bruges.
- Rør aldrig ved varme flader.
- Brug kun jordet 220 volt stikkontakt.
- Rør aldrig ved den roterende bladklinge.
- Maskinen skal altid stå og anvendes frostfrit.
- Maskinen skal altid bruges under tag og ikke i regnvej.

#### DEUTSCH

- Die Sicherheitsgesetze für Maschinen können verschieden sein, aber die folgende anleitungen sind für alle operatoren verwändiglich.
- Vor Arbeitsbeginn bitte Bedienungs- und Wartungsanleitung sorgfältig lesen und allen Empfehlungen folgen.
- Benutzen Sie nie die Maschine ohne Motor- Riemen- und Klingenschutz.
- Berühren Sie nie die beweglichen Teile wenn die Maschine arbeitet.
- Benutzen Sie nie die Maschine in geschlossenen oder brandgefährdeten Gebieten.
- Benutzen Sie nur die Maschine bei ausreichender Beleuchtung.
- Tragen Sie bitte immer einen Hörschutz.
- Tragen Sie bitte immer Sicherheitsschuhe.
- Berühren Sie nie heiße Flächen.
- Benutzen Sie immer nur 220V Steckdosen mit Erdanschluß.
- Die Maschine sollte nie Frost ausgesetzt werden.
- Die Maschine sollte nur überdacht und nie im Regen benutzt werden.

#### DUTCH

- Wetgeving inzake veiligheidsaspecten van machines kunnen verschillen naargelang het land. Volgende gids kan door iedere gebruiker gebruikt worden.
- Lees altijd eerst de veiligheidsvoorschriften voordat de machine in gebruik genomen wordt.
- Gebruik nooit de machine zonder beschermingskappen van de draaiende delen.
- Gebruik de machine nooit de machine in brandgevaarlijke omgeving en bij onvoldoende verlichting.
- Draag altijd veiligheidsschoenen en werkhandschoenen.
- Draag altijd gehoorbeschermers en veiligheidshelm.
- Raak nooit warme viakken en bewegende delen van de machine aan met de handen en voeten.
- Gebruik alleen geaarde stekkers en stopkontakten, zowel voor 220 en 380 volt aansluiting.
- De machine moet altijd in een vorstvrije omgeving gebruikt worden.

#### ESPAÑOL

- Las leyes referentes a seguridad en el trabajo pueden cambiar de país en país. Las siguientes directivas son de provecho para todos los usuarios:
- Antes de usar la maquina por primera vez, lea cuidadosamente el Manual de Instrucciones y siga todas las instrucciones, precauciones y advertencias.
- El usuario debe seguir todas las instrucciones de seguridad.
- Nunca trabaje con la maquina si todas las guardas de partes móviles no están colocadas en su lugar.
- Nunca trabaje con la maquina en ambientes inflamables o con malas condiciones de iluminación.
- Utilice siempre protector de oídos y gafas de seguridad cuando trabaje con la maquina.
- Utilice calzado de seguridad para trabajar con la maquina.
- Solamente trabaje con la maquina con tomacorriente con buena conexión a tierra. En caso de duda no haga funcionar la maquina.
- Esta maquina puede ser usada solo en ambientes no congelados. (frost-free conditions)

