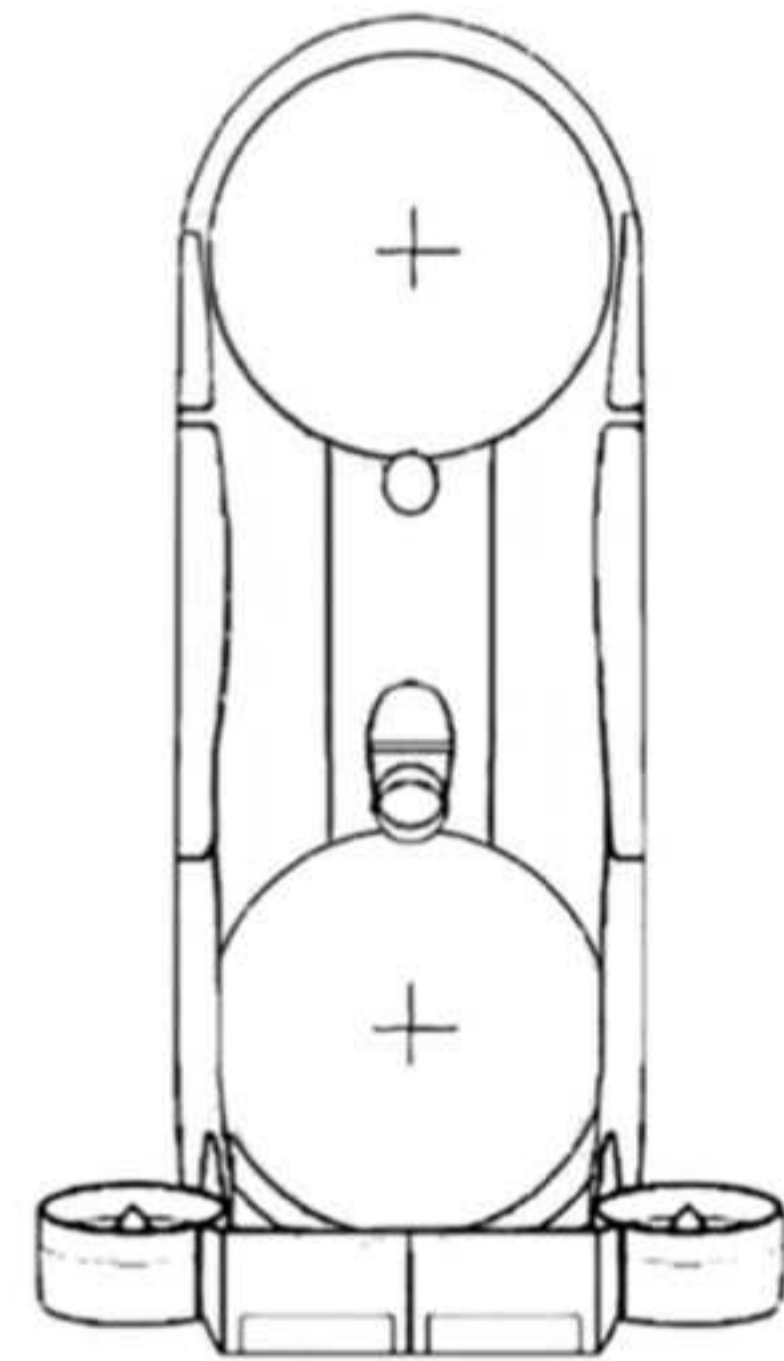
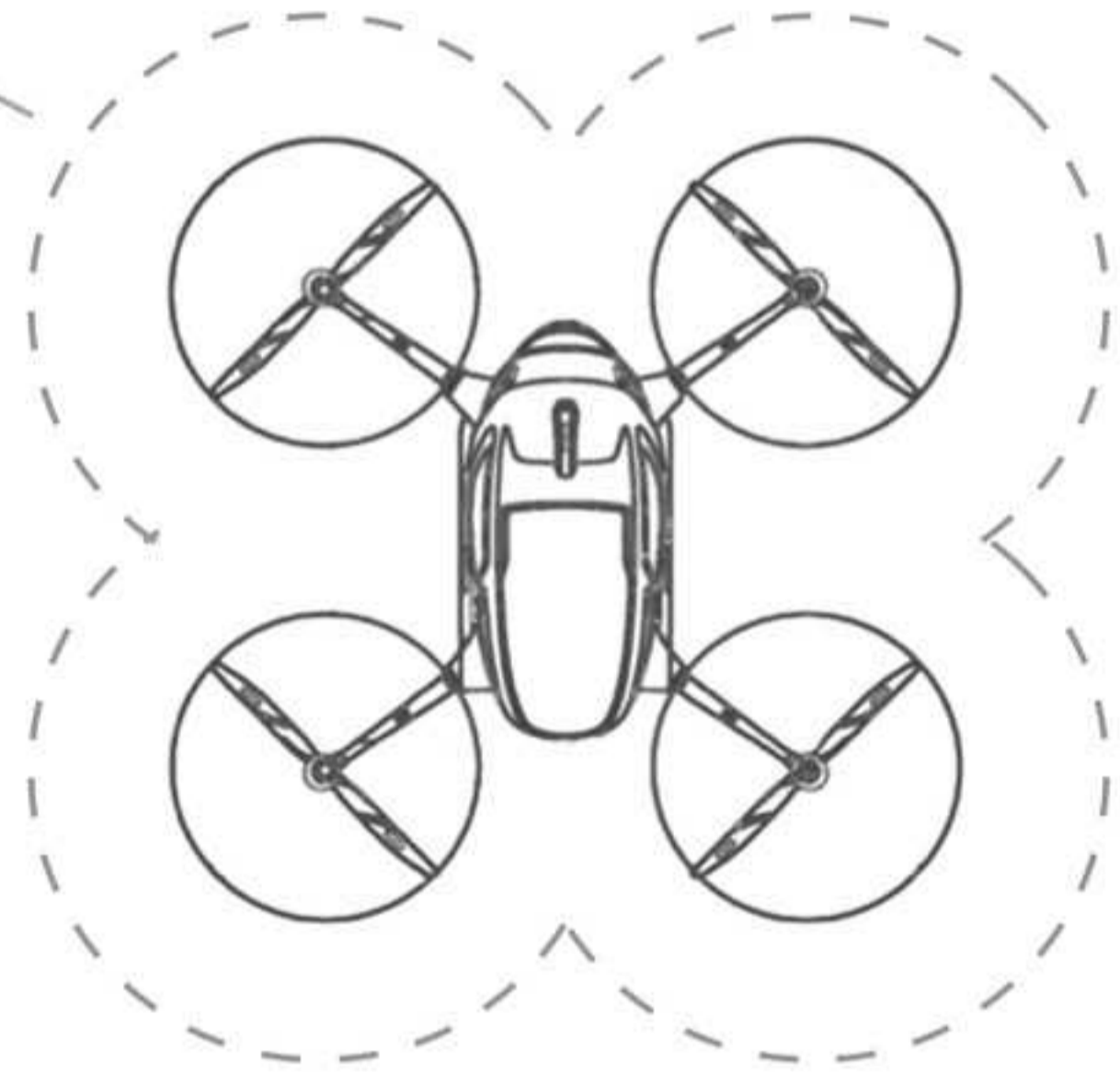


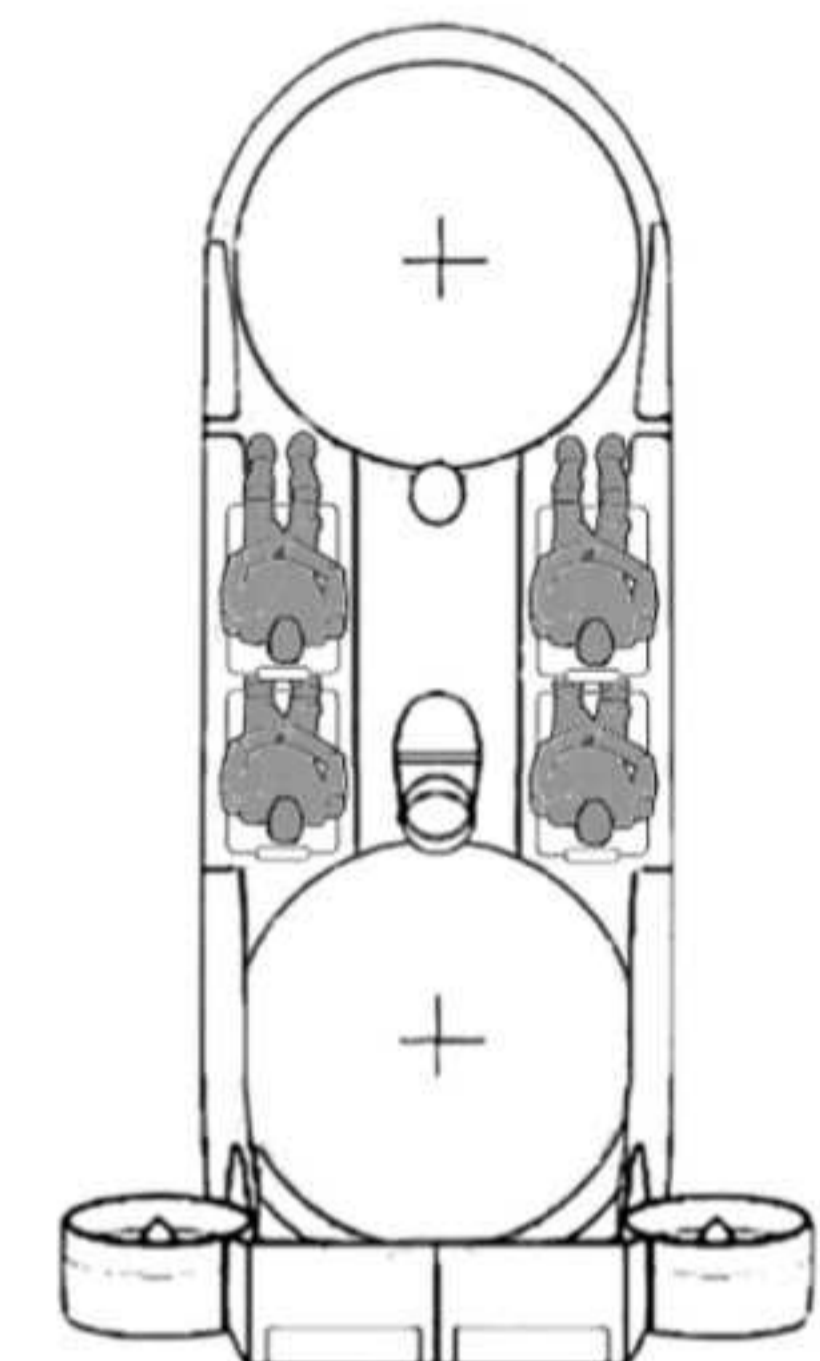
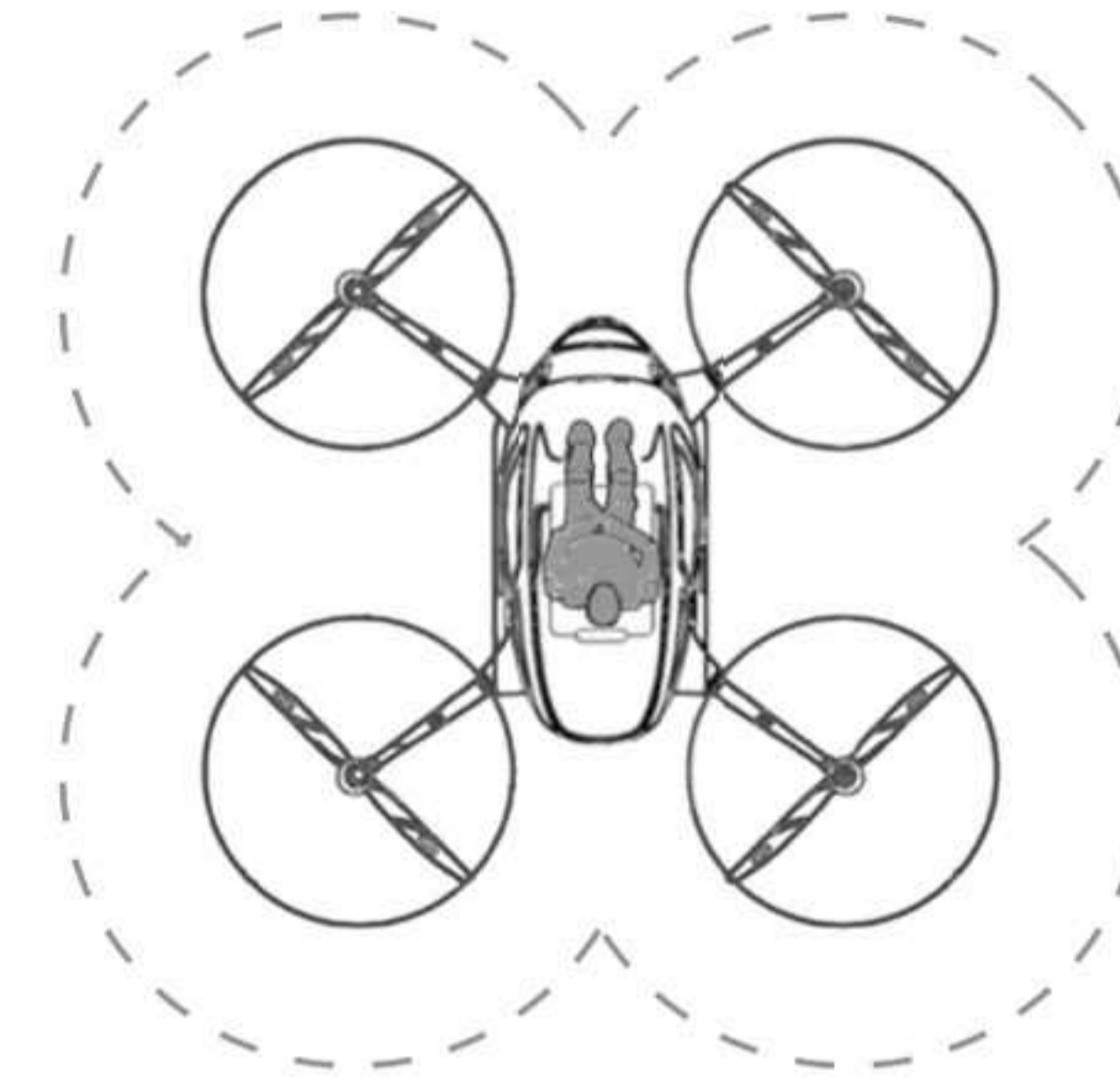
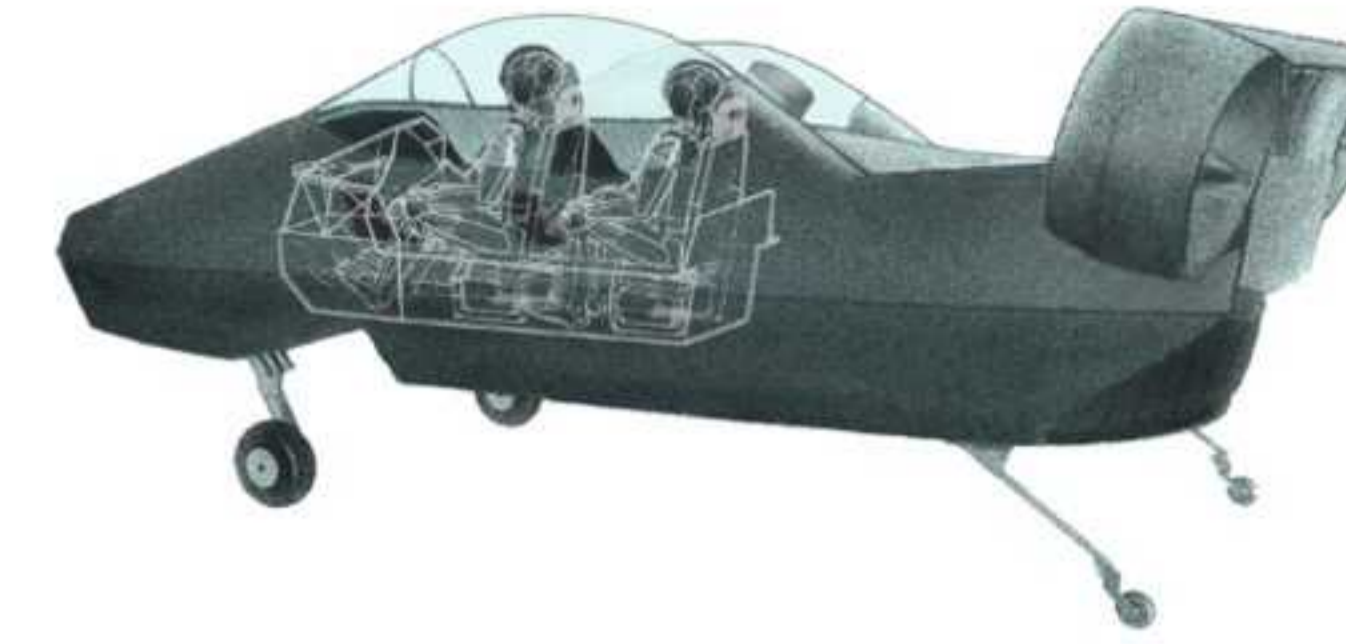
# Unmanned



Safety distance from exposed rotors



# Manned



	Unmanned Ehang 184	Unmanned Cormorant
<b>Payload</b>	100 Kg for 23 minutes	500 Kg for 90 minutes
<b>Max Occupants</b>	NA	NA
<b>Speed</b>	100 Km/hr	180 Km/hr
<b>Max. Width</b>	3.9 m	3.5 m
<b>Cargo Bay Volume</b>	400 liters (estimated)	2400 liters
<b>Charge/Refuel Time</b>	2-4 hours	5 minutes
<b>Flights to date</b>	?	200
<b>Pilot controls</b>	NA	NA
<b>Safe, enclosed rotors</b>	✗	✓
<b>Design to MIL Std</b>	✗	✓
<b>Emergency Chute</b>	✗	✓
<b>Certified Engines</b>	✗	✓
<b>Certified Rotors</b>	✗	✓
<b>Winter operation</b>	✗	✓

	Manned Ehang 184	Manned Cormorant
<b>Payload</b>	100 Kg for 23 minutes	500 Kg for 90 minutes
<b>Max Occupants</b>	1	4
<b>Speed</b>	100 Km/hr	180 Km/hr
<b>Max. Width</b>	3.9 m	3.5 m
<b>Baggage Volume</b>	50 liters (estimated)	1000 liters
<b>Charge/Refuel Time</b>	2-4 hours	5 minutes
<b>Flights to date</b>	?	200
<b>Pilot controls</b>	✗	✓
<b>Safe, enclosed rotors</b>	✗	✓
<b>Design to FAA Std</b>	✗	✓
<b>Emergency Chute</b>	✗	✓
<b>Certified Engines</b>	✗	✓
<b>Certified Rotors</b>	✗	✓
<b>Winter operation</b>	✗	✓
<b>Useful Flight Time @ full payload to comply with FAA 20 min. reserve</b>	3 minutes	70 minutes