

Temperature range: **-18°C/-10°C**

Refrigerating unit: **Internal**

Refrigerant/Cooling factor: **R404A / R507**

Specifications	SANTIAGO M 1.4W	SANTIAGO M 1.7W	SANTIAGO M 2.1W	SANTIAGO M 2.5W
CODE	SA101M	SA102M	SA103M	SA104M
Length [mm]	1380	1680	2010	2540
Length with the sides [mm]	1380	1680	2010	2550
Capacity [dm ³]	240	300	360	400
Working capacity of the chamber [dm ³]	240	300	360	400
The area of shelves [m ²]	0,9	1,2	1,4	1,6
Depth [mm]	1190	1190	1190	1190
Height [mm]	1230+/10	1230+/10	1230+/10	1230+/10
Refrigerant/Cooling factor	R404A / R507	R404A / R507	R404A / R507	R404A / R507
Evaporating temperature [°C]	-30	-30	-30	-30
Cooling power demand [W/mb]	400	400	400	400
Rated voltage [V]	230/50Hz	230/50Hz	230/50Hz	230/50Hz
Rated power of lighting [W]	8,5	22,4	22,4	28,8
Rated power [W]	905	995	1316	1945
Cooling power [W]	744	796	1085	1488
Rated power of electric heaters [W]	210	210	270	332
Rated power of the evaporator heater [W]	120	120	150	186
Electricity consumption [kWh/24h]	12,7	13,9	18,4	27,2

Standard equipment

internal freezing aggregate

dynamic cooling (ventilated)

body with service - side base flashing composed of white, coated sheet metal

front base sheets and front panel with color-coated sheet - selectable color (IGLOO color guide)

ecological polyurethane foam insulation

exposition area made of stainless steel

worktop - granite grey (thickness : 20 mm)

internal frame and aluminum profiles anodised color silver or gold (IGLOO pattern book)

curved front glass - telescopic lifting system

night blinds made of plexi glass

LED lamp (color of choice: white, confectionery or meaty "deep pink")

bumper - different colors available (IGLOO pattern book)

plastified reticulated baskets (765 x 295 mm)

double insulated plastic sides + glass sides - selectable colour (IGLOO colour chart)

automatic defrost

automatic condenser vaporization

electronic temperature controller with digital display (IGLOO)

condenser impurity or fan operation failure alarm

siphoned condensate drain - diameter of the connector pipe Ø 40

refrigerant system adapted for one of the following media - R448a / R449a / R450a / R407F / R404A/R507 / R290

Options

device without side panels prepared for multiplexing (MOD/A)

housing with base panel from staff side made of stainless steel

front panel color different than IGLOO pattern book (please contact IGLOO sales dept.)

front panel color - different colors available (IGLOO pattern book)

custom front panel color (after consultation with the IGLOO Sales Department)

base panel made of stainless steel

exposition area made of acid resistant stainless steel

powder painted evaporator

worktop - granite Balmoral (thickness : 20 mm)

worktop - granite black (thickness : 20 mm)

worktop - stainless steel

set of wheels (castors)

additional LED light in top lamp profile

electronic temperature recorder + software

recorder cable

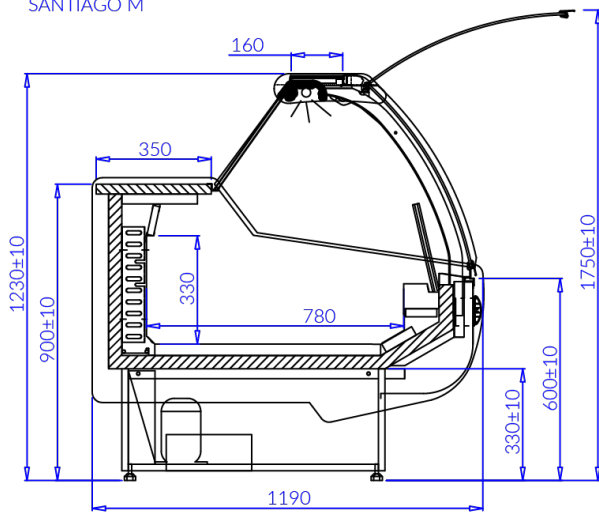
customer front shelf (aluminum profile anodised color silver or gold)

front shelf for the customer with wooden profiles and stainless steel inserts - selectable colour (IGLOO colour chart) (excludes the buffer)

runner for small movable table

small movable table for scale or cash register (400x500mm)

SANTIAGO M



SANTIAGO M - DRE

