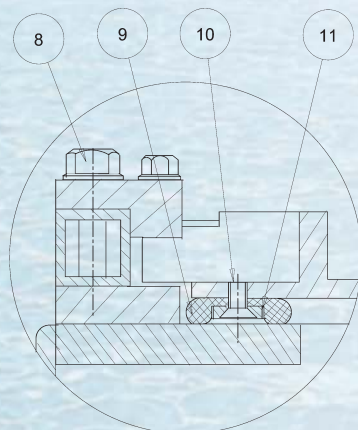
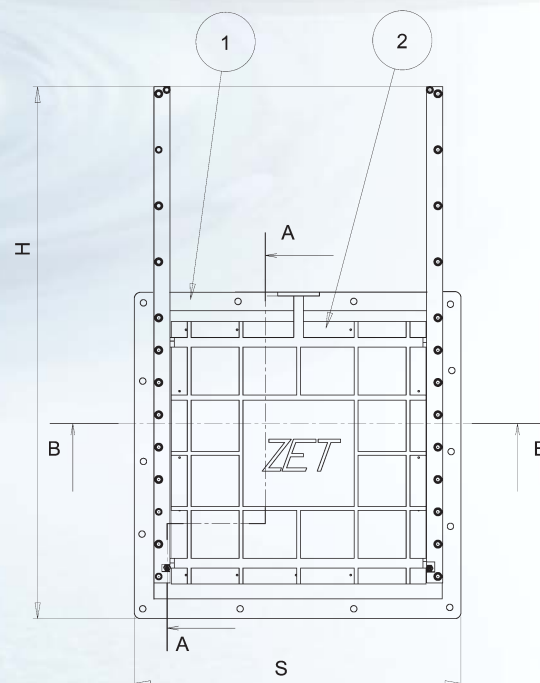
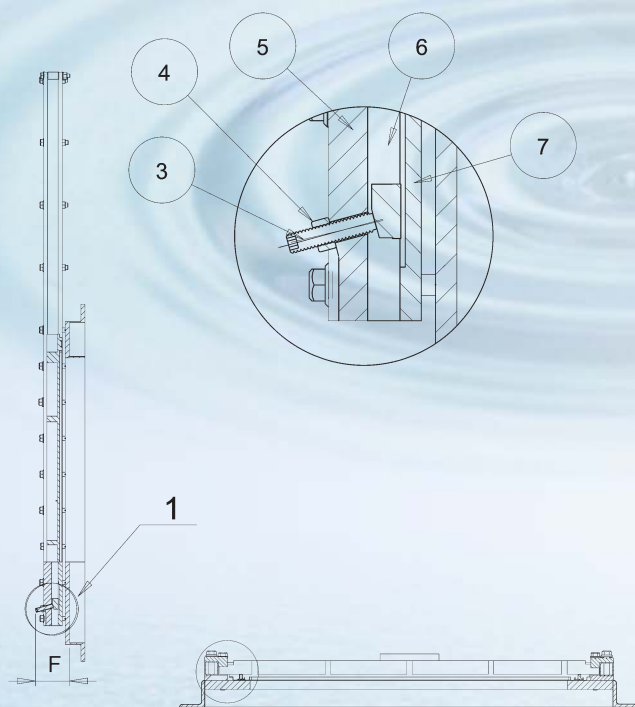


Bi-directional wall mounted gates for square openings model Zwp-ss

- Complete and drop-tight bi-directional sealing for on- and off-seating pressure, for 40 meter waterhead resistance, can be ordered for higher resistance on request.
- Double dynamic hydraulic seal system, standard production in Neoprene - can be produced in other sealant materials on request.
- Reinforced stainless steel gate, standard production in stainless steel, other materials on request.
- The penstock is designed without protrusions, projections or depressions that could trap solids contained in the flow.
- Slant stainless steel tracks ensuring the gate's adhesion to the seat only at the end of process, no contact at all between seals and seal gate during operation.
- Operating nut not immersed in sewerage.
- Low operational torque.
- A variety of installation options: slot fixing, wall mounting, and more.
- Removable actuator arm available.
- Long term manufacturer's warranty.
- Dimensions and raw materials adapted to the needs of the project and flow.



1	Body (stainless steel)
2	Gate (stainless steel)
3	Adjustment bolt (stainless steel)
4	Nut (stainless steel)
5	Upper guide (stainless steel)
6	Middle guide (stainless steel)
7	Lower guide (stainless steel)
8	Bolt (stainless steel)
9	Hydraulic J type seal (neoprene)
10	Bolt (stainless steel)
11	Seal holder (bronze / HDPE)