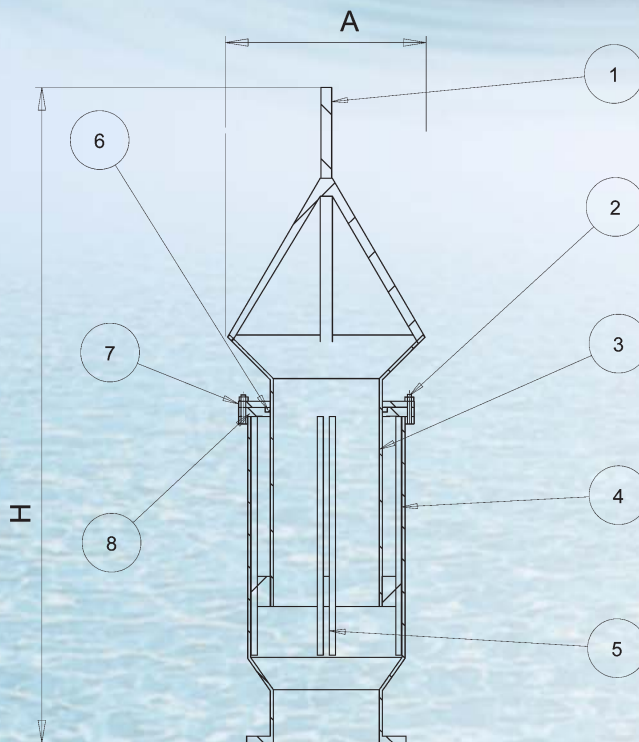


## Telescopic Bellmouth ZTM-A

This valve is designed for setting the skimming level in reservoirs, pumping stations and sewerage purification plants. The bellmouth allows varying the skimming level according to immediate needs, and is adapted especially for work in aggressive environments.

### Structure:

- Telescopic non-fixed pipe, stainless steel standard produced.
- The design of the bellmouth prevents the risk of unwanted extraction of the fixed pipe.
- Rising stainless steel stem stainless steel standard produced, telescopic spindle (the non-rising type), available on request.
- Unique sealing system using multi-layered seals, sealing materials can be adapted to flow.
- Stainless steel carriers, allowing exact and centralized movement of telescopic lever.
- Operating nut not immersed in flow.
- Low operational torque.
- A variety of operation methods: manual, electric, pneumatic, hydraulic, above- or below-ground.
- Raw materials adapted to resistance against aggressive materials.
- Long term manufacturer's warranty.
- Dimensions and raw materials adapted to the needs of the project and flow.



1	Stem (stainless steel)
2	Bolt (bronze)
3	Dynamic tube (stainless steel)
4	Static tube (stainless steel)
5	Guides (bronze on stainless steel)
6	Multilayer seal
7	Top cover
8	Seal holder