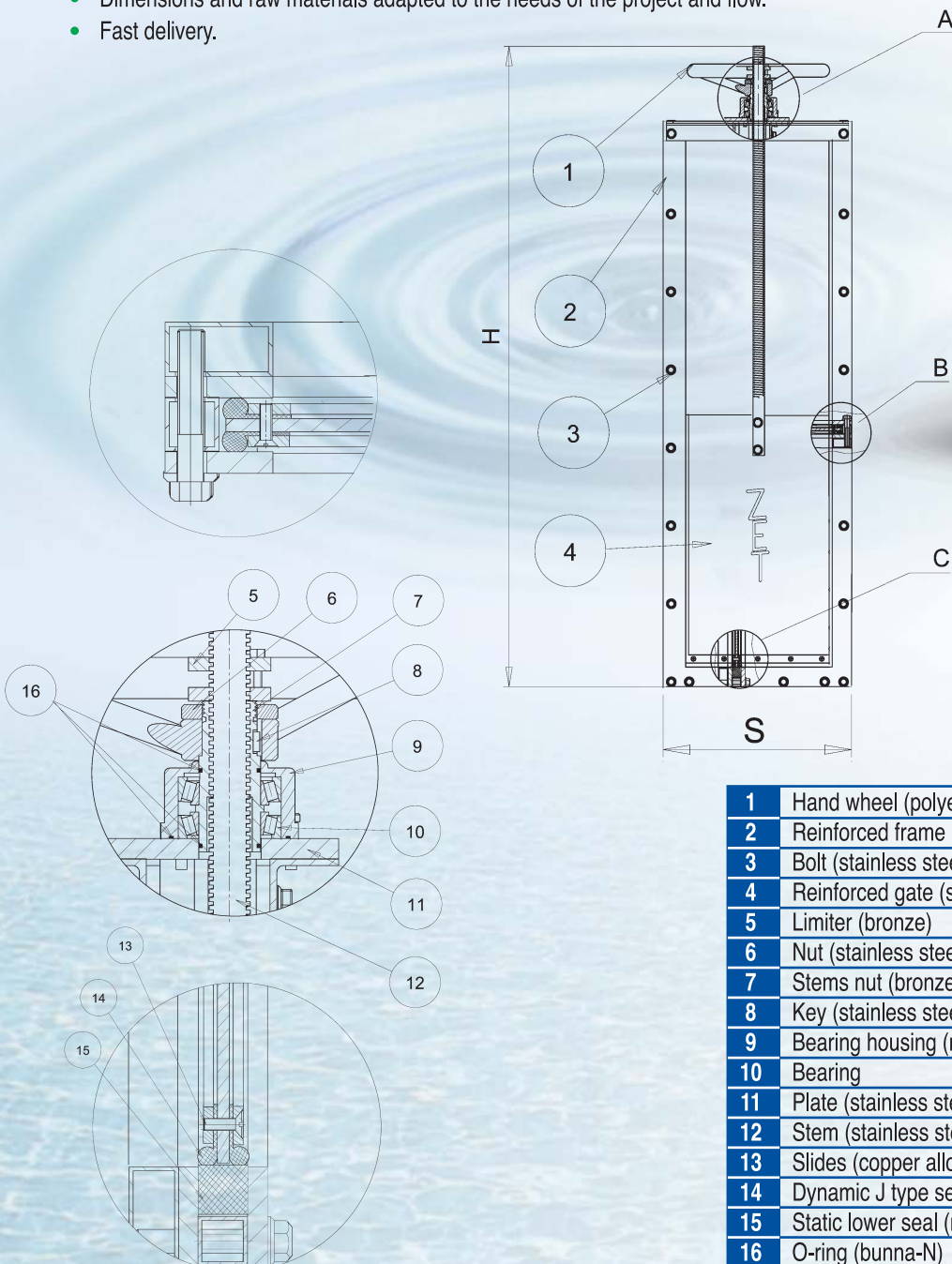


Bi-directional channel gates model ZCP-s

- Reinforced stainless steel frame for prevention of warping during installation.
- Stainless steel reinforced gates.
- Complete and drop-tight bi-directional sealing for on- and off-seating pressure.
- Low operational torque.
- **Double** dynamic hydraulic neoprene seal system, standard.
- Unique sealing system guaranteeing damage protection against closure on solid materials.
- Operating nut fixed on gate frame, not immersed in sewerage.
- Stainless steel rising stem (non-rising telescopic stem can be produced on request).
- Copper alloy sliding tracks (other materials such as HDPE on request)
- A variety of installation options: slot fixing, wall mounting, combination.
- Bottom of gate completely straight, flush invert, allowing full and smooth passage without building sewerage for slots or steps.
- Sluice gates for determining skimming level may be ordered.
- Materials adapted to resistance against aggressive materials.
- Long term manufacturer's warranty.
- Dimensions and raw materials adapted to the needs of the project and flow.
- Fast delivery.



1	Hand wheel (polyester coated steel)
2	Reinforced frame (stainless steel)
3	Bolt (stainless steel)
4	Reinforced gate (stainless steel)
5	Limitter (bronze)
6	Nut (stainless steel)
7	Stems nut (bronze)
8	Key (stainless steel)
9	Bearing housing (nickel coated aluminium)
10	Bearing
11	Plate (stainless steel)
12	Stem (stainless steel)
13	Slides (copper alloy / HDPE)
14	Dynamic J type seal (neoprene)
15	Static lower seal (neoprene)
16	O-ring (bunna-N)

ZET