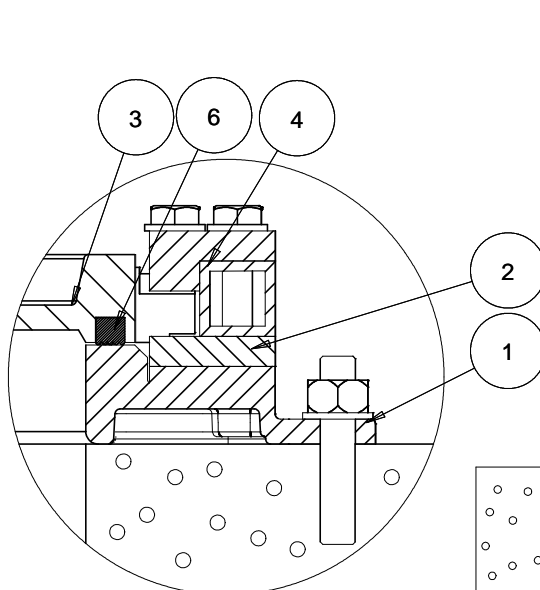
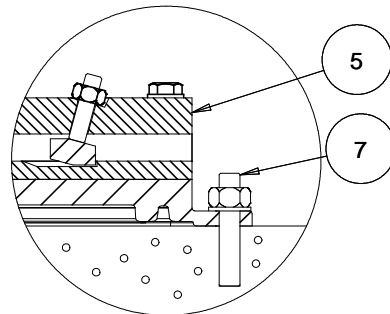
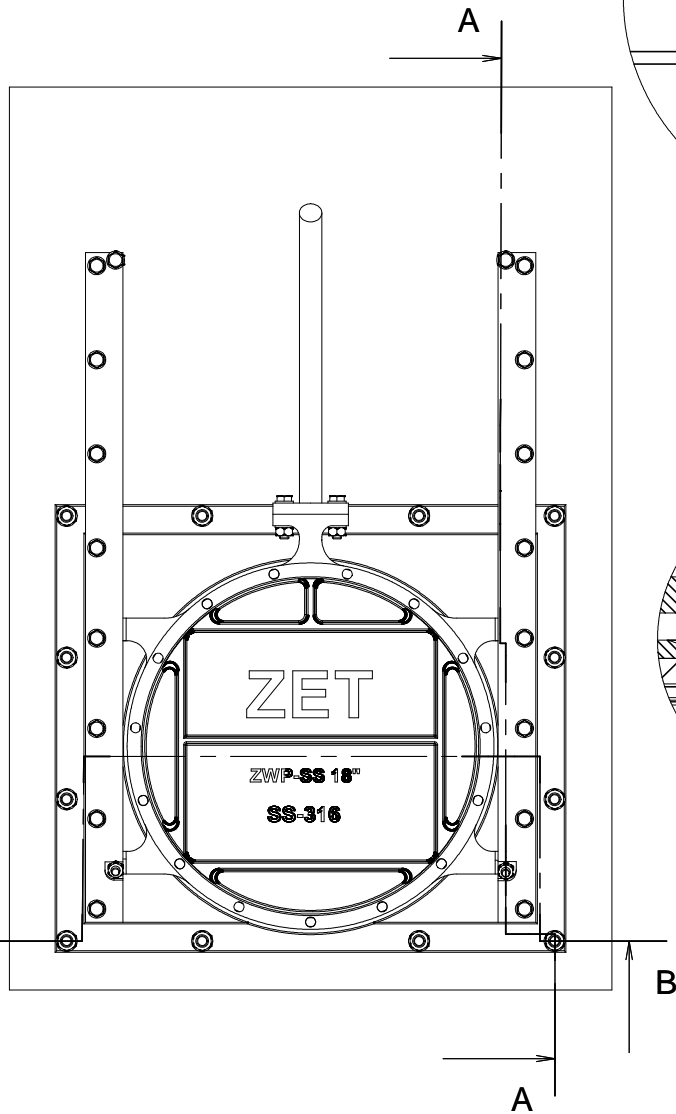


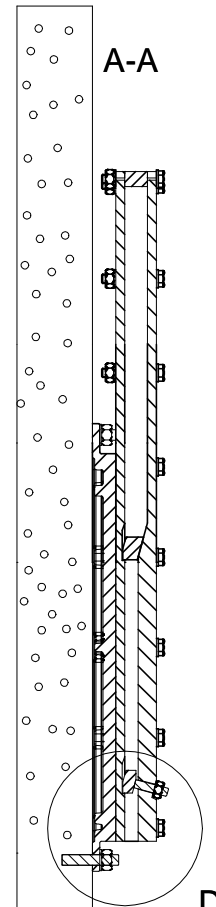
B-B



C-C



D-D



A-A

D

No	Standard number	Material
1	Frame	stainless steel
2	Lower guide	stainless steel
3	Gate	stainless steel
4	Middle guide	stainless steel
5	Upper guide	stainless steel
6	Dynamic seal	EPDM
7	Bolt	stainless steel